

THE SCIENCE



OF SURVIVAL

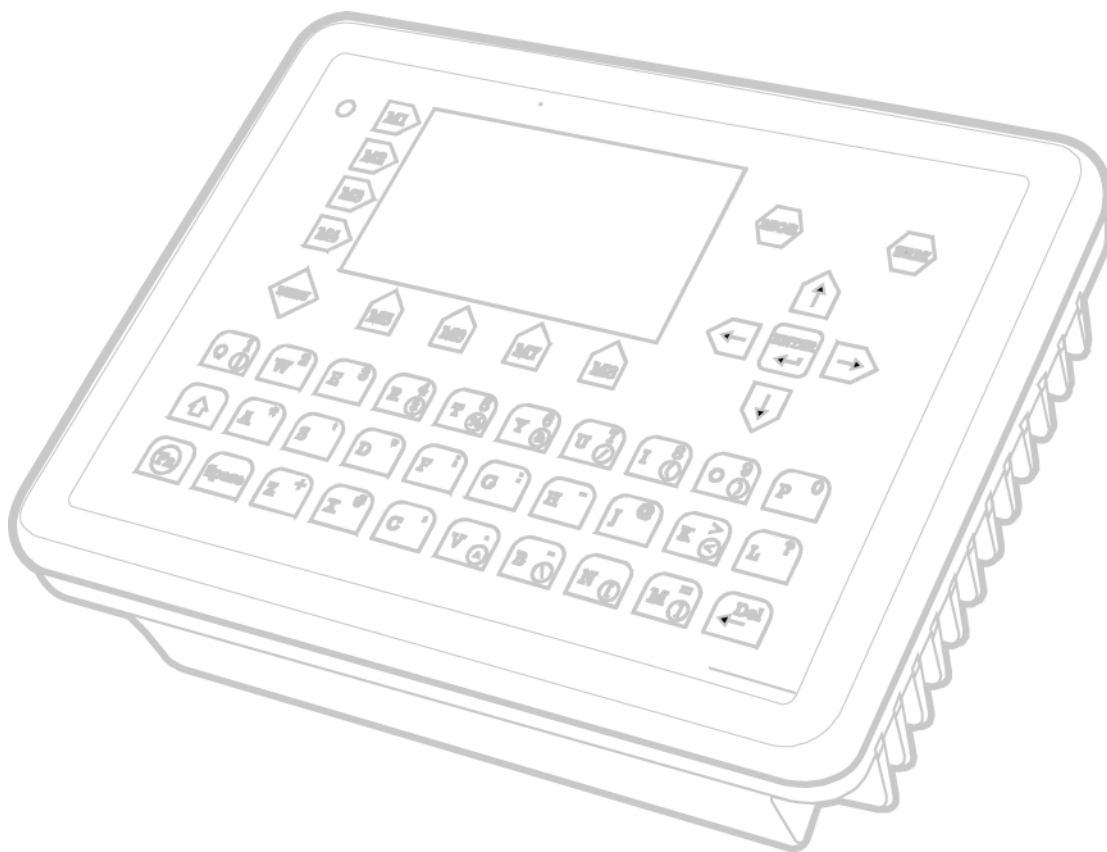
COBHAM

INSTALLATION MANUAL

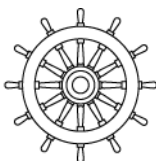
NAUTICAST // Automatic Identification System

Product No.: 2607

Y1-03-0204 Rev. K



FC



ACR Electronics, Inc. // 5757 Ravenswood Road // Fort Lauderdale // FL // 33312-6645

Tel: +1 (954) 981-3333 // Fax: +1 (954) 983-5087 // www.acrelectronics.com

Please read this first!

Warning:

Although ACR strives for accuracy in all its publications; this material may contain errors or omissions, and is subject to change without prior notice. ACR shall not be made liable for any specific, indirect, incidental or consequential damages as a result of its use. ACR components may only be used in safety of life devices or systems, with the express written approval of ACR, as the failure of such components could cause the failure of the ACR device or system. If these fail, it is reasonable to assume that the safety of the user or other persons may be endangered.

Copying of this document, and giving it to others and the use or communication of the contents thereof, are forbidden without express authority. Offenders are liable to the payment of damages.

Weitergabe sowie Vervielfältigung dieser Unterlage, Verwertung und Mitteilung ihres Inhaltes nicht gestattet, soweit nicht ausdrücklich zugestanden. Zuwiderhandlungen verpflichten zu Schadenersatz.

Toute communication ou reproduction de ce document, toute exploitation ou communication de son contenu sont interdites, sauf autorisation expresse. Tout manquement à cette règle est illicite et expose son auteur au versement de dommages et intérêts.

Sin nuestra expresa autorización, queda terminantemente prohibida la reproducción total o parcial de este documento, así como su uso indebido y/o su exhibición o comunicación a terceros. De los infractores se exigirá el correspondiente resarcimiento de daños y perjuicios.

1	GENERAL INTRODUCTION	1
1.1	Description of AIS	1
1.2	AIS in an Operational Environment	2
1.3	AIS Networks	3
1.4	Carriage Requirement	4
1.4.1	Chapter V (Safety of Navigation) Regulation 19, of the SOLAS Convention.	4
1.4.2	Accelerated Implementation of AIS:	4
2	NAUTICAST	5
2.1	System Overview	5
3	INSTALLATION	6
3.1	Installation Requirements	6
3.2	Installation Overview	6
3.3	General Interface Description	8
3.4	Interface NMEA Description:	9
3.4.1	Sensor - Interface CH1, CH2, CH3	9
3.4.2	ECDIS – Presentation Interface CH 4	9
3.4.3	Pilot Port CH 5	10
3.4.4	Long Range CH 8	10
3.4.5	DGPS – DGNSS Channel 9	11
3.4.6	Alarm Circuit – BIIT Channel 10	11
3.4.7	Proprietary Sentences	11
3.5	Sensor Interface Definitions	12
3.5.1	Talker drive circuits	12
3.5.2	Listener Receiver Circuits	12
3.5.3	Electrical isolation	12
3.5.4	Maximum voltage on the bus	12
3.5.5	Data transmission	12
3.6	Sensor notes	13
3.7	Sensor Hardware Installation:	14
3.7.1	Installation of an RS422 serial interface:	14
3.8	Sensor Software Configuration	15
3.8.1	Introduction	15
3.8.2	Set up Sensor Speed, Checksum (CRC) and NMEA Talker and Sentence ID	15
3.8.3	Real-Time Analysis of NMEA Data Streams	18
3.8.4	Sensor Monitoring for Problem Analysis	20
3.8.5	Priority Handling of Sensor Sentence	21
3.8.6	Supported NMEA-0183 Sentences	21
3.8.7	Calculated Values	25
3.8.8	Versions of NMEA Sentences	25
3.9	Pin-Description AIS-Cable / Socket 50-Pins:	26
3.10	Pin-Description AIS-Connector:	27
3.11	Installation of VHF / GPS Antennas	28
3.11.1	VHF Antenna Installation	28
3.11.2	GNSS Antenna installation	29
3.11.3	Power Supply	32
4	STARTING THE NAUTICAST	33
4.1	Entering the MMSI and IMO Numbers:	33
4.2	Entering Voyage Related Data:	35
4.3	Entering Ship Settings:	36
4.4	Service and User Passwords:	38
5	TROUBLESHOOTING	41
5.1	Reading and understanding Alarms:	41
5.2	Alarm Codes	43
5.3	Text Messages	44
6	ACCESSORIES	45
7	TECHNICAL INFORMATION	46
8	CONTACT AND SUPPORT INFORMATION	47
9	APPENDIX	48
9.1	Samples for battery calculation	48
9.1.1	Typical Installation	48
9.2	Drawings and Approvals	53

History of Changes

Date	Version	Rev.	Status	Comments	Responsible
2003-04-30	1.0.2	A	Released	Dimensional drawings as Annex Wheelmark Certificate as Annex	A. Lesch
2003-06-30	1.0.3	B	Released	Amendments for: Power consummation, Troubleshooting, grounding, external fuse, battery calculation in Appendix	B. Werner
2004-06-03	1.0.4	C	Released	New Approvals, new pictures	B. Werner
2004-07-09	1.0.5	D	Draft	Sensor Configuration	A. Lesch
2004-07-14	1.0.5.	E	Draft	ROT	Gruber
2004-07-15	1.0.5.	F	Released	Sensor Configuration	Werner/Moore
2005-11-01	1.0.6	G	Released	GPS-Antenna, editorial work	A. Lesch
2006-05-24	1.0.7	H	Released	Editorial work	M.D'Arcangelo
2006-11-07	1.0.8	I & J	Released	Character Change Out	M.D'Arcangelo
2009-04-01	1.0.9	K	Released	ITU-R M.1371-3 Updates	B.Werner

1 General Introduction

IMPORTANT: IMO REGULATIONS MANDATE that after the physical installation has been successfully completed, all ships data and settings be entered into the AIS transponder. See Section 4 for further instructions.

1.1 Description of AIS

What does the abbreviation AIS stand for?

AIS stands for: "Automatic Identification System"

What is AIS?

According to IALA regulations, AIS is defined as follows:

Very simply, the AIS is a broadcast Transponder system, operating in the VHF maritime mobile Band. It is capable of sending ship information such as identification, position course, speed and more, to other ships and to shore. It can handle multiple reports at rapid update rates and uses Self-Organizing Time Division Multiple Access (SOTDMA) technology to meet these high broadcast rates and ensure reliable and robust ship to ship operation.

What are the performance standards of AIS?

The IMO defines the performance standards as follows:

- Ship to Ship working
- Ship to Shore working, including Long Range Application
- Automatic and continuous operation
- Provision of information messaging
- Utilization of maritime VHF channels

Which modules make up an AIS-Transponder?

The Modules:

- DGPS / GPS receiver
- VHF Radio
- Antenna
- Computer (CPU)
- Power Supply

Appropriate application software connects the individual modules.

In which modes does AIS function?

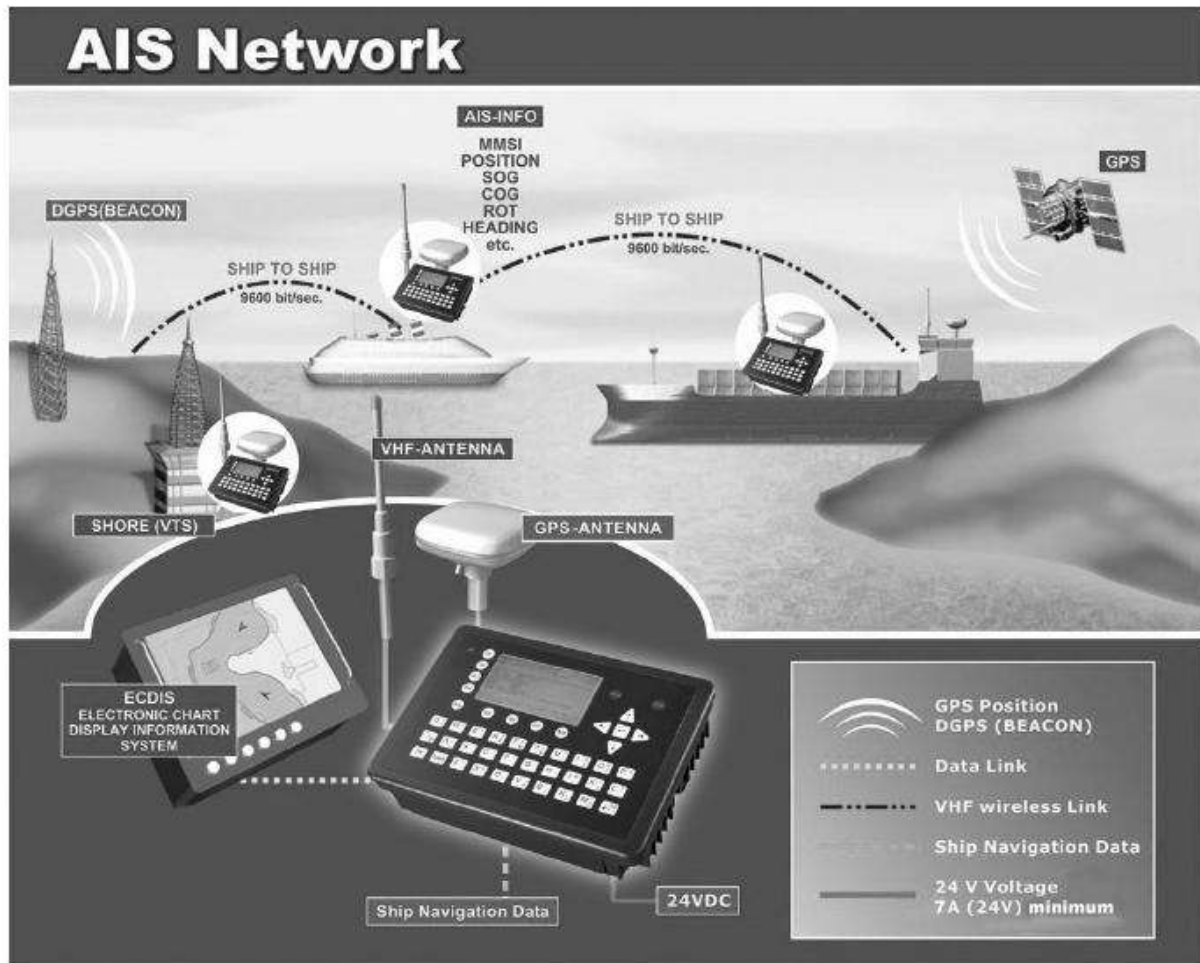
AIS are required to function flawlessly in a variety of modes. The relevant regulations require:

The system shall be capable of

- An "**autonomous and continuous**" mode for operation in all areas. This mode shall be capable of being switched to/from one of the following alternate modes by a competent authority;
- An "**assigned**" mode for operation in an area subject to a competent authority responsible for traffic monitoring such that the data transmission interval and/or time slots may be set remotely by that authority;
- A "**polling or controlled**" mode, where the data transfer occurs in response to interrogation from a ship or competent authority.

1.2 AIS in an Operational Environment

This illustration depicts a typical AIS System, where two or more AIS equipped vessels (and shore based systems) are automatically communicating with each other.



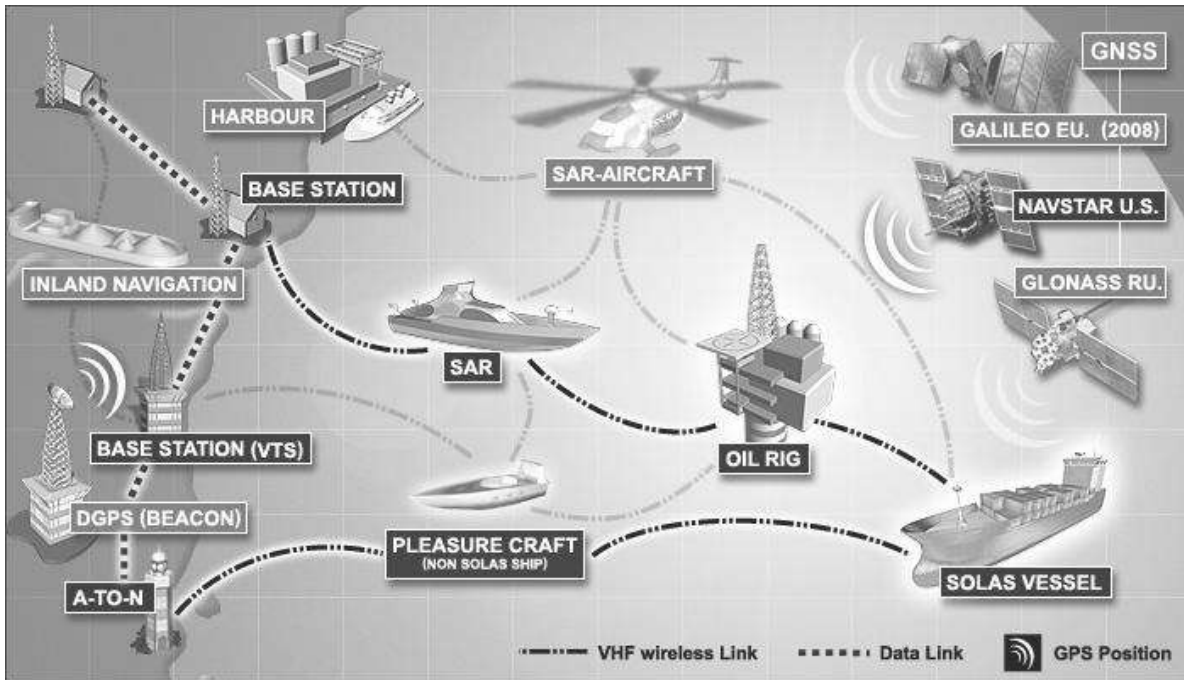
On the bottom, a typical NAUTICAST installation in a common environment is shown. The NAUTICAST is connected to the vessel's emergency power supply, and in connection with the VHF, and GPS-Antennas, the minimal requirements for Transponder operation are fulfilled.

Both vessels in the above illustration are equipped with a NAUTICAST (or any other certified AIS-Transponder). Due to "Time – Synchronization" they use the same organization of free and allocated windows (Slots) in the shared VHF Data Link (this method is called "Self Organized Time Division Multiple Access") to send and receive messages.

Without the necessity of any active interaction, both vessels know exactly who or what is cruising nearby and where the individual object is heading.

1.3 AIS Networks

The scenario below shows a full AIS coverage area (including all applications and complete shore infrastructure).



The Carriage Requirement currently applies exclusively to SOLAS Vessels, but following the current international discussions on maritime security; it is common understanding that other possible AIS users will follow very soon. Shore Based infrastructure will be among the first groups to become AIS equipped.

1.4 Carriage Requirement

1.4.1 Chapter V (Safety of Navigation) Regulation 19, of the SOLAS Convention.

IMO regulations require sea vessels from a size of 300 GT (Gross Tonnage) in international and 500 GT in national waters to be equipped with an AIS-Transponder. The implementation of this legislation began on July 1, 2002 and will be enforced in the following stages:

- July 2002 for all vessels built from this period onwards
- July 2003 for all passenger ships and all tankers which were built before July 1, 2002
- July 2004 for all ships of 50,000 GT and above which were built before July 1, 2002
- July 2005 for all ships from 10,000 GT up to under 50,000 which were built before July 1, 2002
- July 2006 for all ships from 3,000 GT up to under 10,000 which were built before July 1, 2002
- July 2007 for all ships from 300 GT up to under 3,000 which were built before July 1, 2002
- July 2008 for all other ships which do not travel in international waters and were built before July 2002

In some cases, exemptions may be granted to such ships, which will be taken off sea within 2 years of legislation coming into effect.

Refer to IMO Recommendation ITU-R M.1371-1 and IALA-AIS-Guidelines

1.4.2 Accelerated Implementation of AIS:

ANNEX

AMENDMENTS TO THE TO THE INTERNATIONAL CONVENTION FOR THE SAFETY OF LIFE AT SEA, 1974 AS AMENDED CHAPTER V - SAFETY OF NAVIGATION

Regulation 19 - Carriage requirements for ship borne navigational Systems and equipment states:

- 1 The existing subparagraphs .4, .5 and .6 of paragraph 2.4.2 are replaced by the following:

“4 in the case of ships, other than passenger ships and tankers, of 300 gross tonnage and upwards, but less than 50,000 gross tonnage, not later than the first safety equipment survey' after 1 July 2004 or by 31 December 2004, whichever occurs earlier; and”

- 2 The following new sentence has been added at the end of the existing subparagraph 7 of paragraph 2.4;

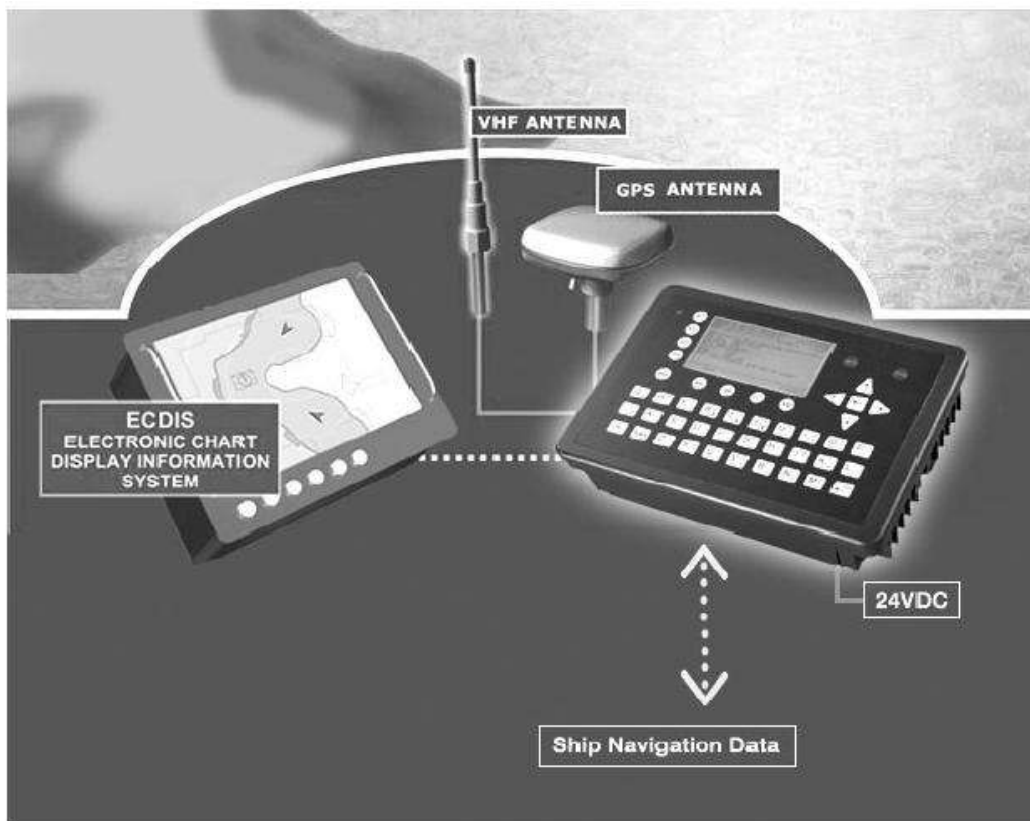
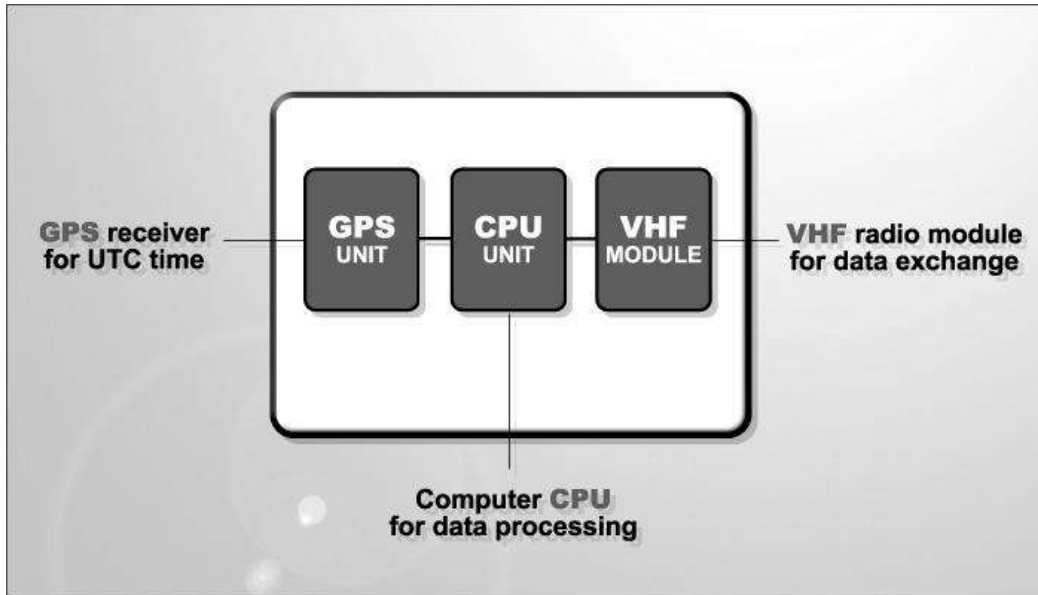
“Ships fitted with AIS shall maintain AIS in operation at all times except where international agreements, rules or standards provide for the protection of navigational information.”

Refer to the International Convention for the Safety of Life at Sea, 1974 (SOLAS), held at IMO, 9-13 December 2002

2 NAUTICAST

2.1 System Overview

Unlike other AIS devices, the NAUTICAST combines all required functions into one cabinet. Additionally, the NAUTICAST gives the operator a number of additional features (easy mounting & installation, environmental protection and smallest dimensions).



3 Installation

3.1 Installation Requirements

General Requirements

Please note that international conventions, regulations, instructions and guidelines have to be adhered to when installing the NAUTICAST.

The following points must be observed before installation can commence:

- Permission by the local authority to install such a device must be granted.
- Trained service personnel must undertake the installation.
- The NAUTICAST must be fitted in a suitable place on the bridge.
- The VHF and GPS Antennas must be installed in a suitable position, where excellent reception conditions apply (refer to Chapter 3.11 Installation of VHF antenna)
- All available interfaces must be installed.
- The vessels power supply must suffice, and the GMDSS power supply has to be used.
- Installation of the pilot plug in conning position (close to the pilot working place).

3.2 Installation Overview

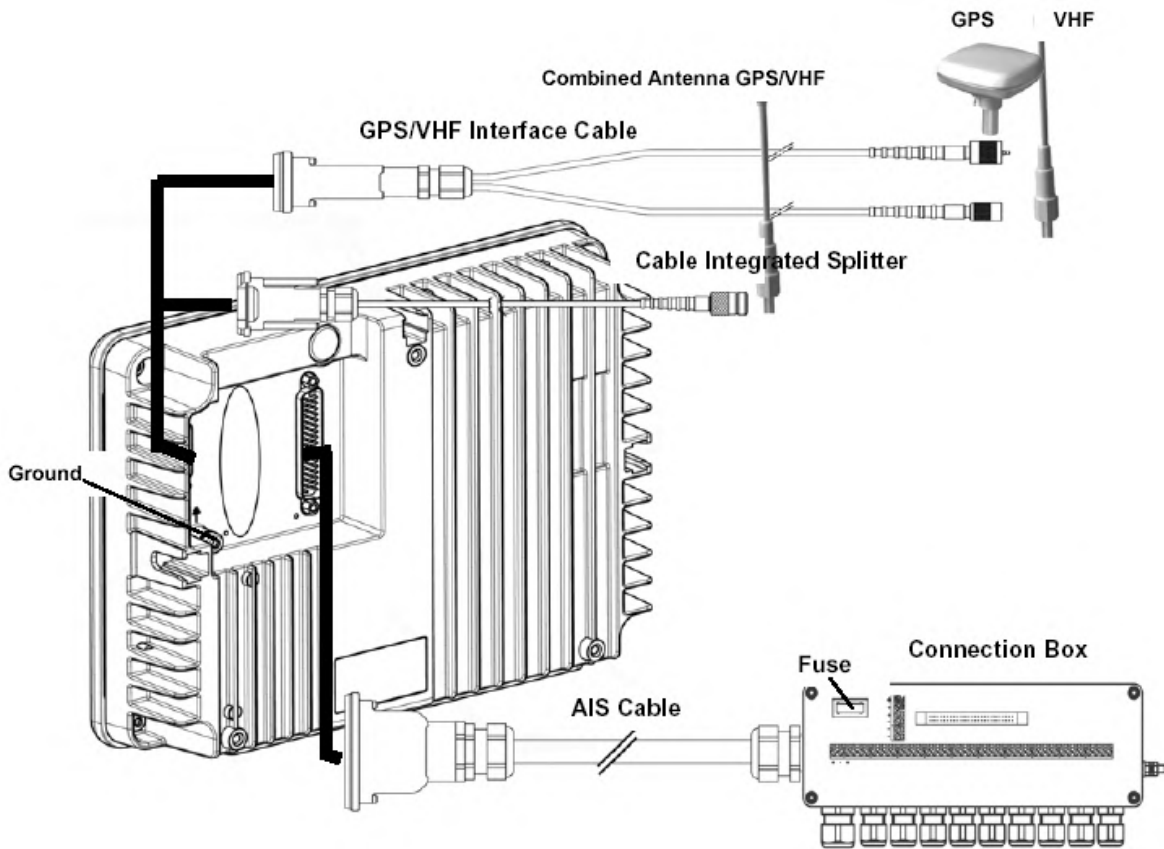
Survey

AIS is considered part of the ship's radio station and is surveyed together with radio installation. Surveys on SOLAS Convention ships should be carried out in accordance with the rules laid down in IMO Res. A 746(18) "Survey Guidelines under the harmonized system of survey and certification" (R) 8, and "Protocol of 1988 relating to the International Convention for the Safety of Life at Sea, 1974."

The NAUTICAST consists of one unit, which integrates all necessary modules.

Step-by-Step Installation Procedure:

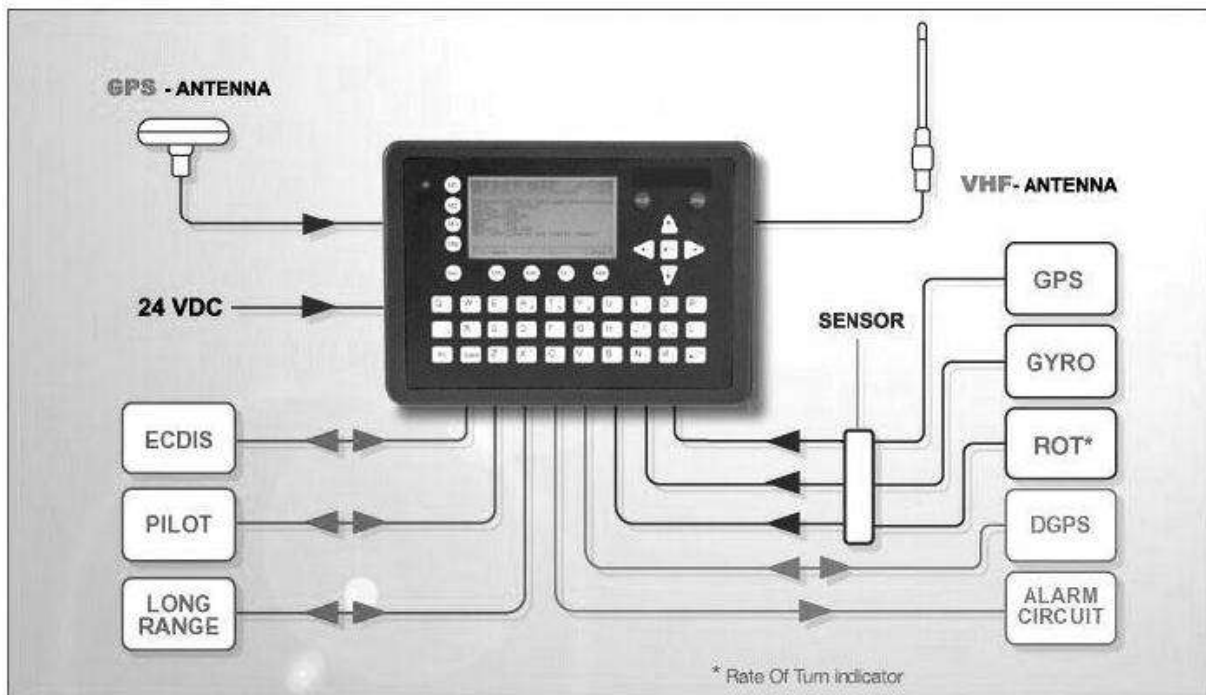
- Mount the NAUTICAST close to ships operation workstation for traffic surveillance and maneuvering.
- Use the VHF adapter cable (P/N 2612) together with the VHF plug and TNC plug to connect the VHF and GPS antenna cables and antennas.
- The sensors, ECDIS, PC, pilot case, long range devices and auxiliary displays can be connected to the NAUTICAST cabinet by the AIS cable by means of the connection box. The device is driven by a 24V DC 7A supply, which is connected to the power terminal at the connection box. The AIS should be connected to an emergency power source. A battery capacity calculation together with GMDSS-equipment is needed! Please refer to Appendix 9.1 for examples of battery capacity calculations.
- After performing these steps, the NAUTICAST automatically starts operation.
- The NAUTICAST has a ground terminal which has to be connected to ship ground.
- Now configure the required initial system parameters according to Chapter 4 "Starting the NAUTICAST".



Note: The ACR connection box includes a fuse of 6,3A. If it is not used, then the unit has to be protected against high current by an external slow blow fuse of 6,3A.

Components and Interfaces

The diagram below illustrates which devices can be connected to the NAUTICAST. For a detailed description of sensor connecting e.g. an existing Gyro to the NAUTICAST refer to Chapter 3.7 "Sensor Installation".



3.3 General Interface Description

Interface	Designation	Speed	Direction
Sensor 1	CH 1	4800bps or 38400bps	Input
Sensor 2	CH 2	4800bps or 38400bps	Input
Sensor 3	CH 3	4800bps or 38400bps	Input
ECDIS	CH 4	38400bps	Input/Output
PILOT	CH 5	38400bps	Input/Output
LONG RANGE	CH 8	38400bps	Input/Output
DGPS (RTCM SC104)	CH 9	9600bps	Input/Output
ALARM CIRCUIT	CH 10	Dry relay contact (power off and alarm state closed)	

3.4 Interface NMEA Description:

3.4.1 Sensor - Interface CH1, CH2, CH3

Refer to Chapter 3.8 for detailed information on Sensor - Interface and Configuration.

3.4.2 ECDIS – Presentation Interface CH 4

Sentence Formatters		Direction	Used Fields
ABK	UAIS Addressed and binary broadcast acknowledgement	out	All fields are provided for Input and Output. For further information please refer to IEC 61993-2 / NMEA 0183 HS V3.0 for detailed field information.
ACA	AIS Channel assignment message	in / out	
ACK	Acknowledge Alarm	in	
AIR	UAIS Interrogation Request	in	
ALR	Set Alarm State	out	
ABM	UAIS Addressed binary and safety related message	in	
BBM	UAIS Broadcast Binary Message	in	
DSC	Digital Selective Calling Information	out	
DSE	Expanded Digital Selective Calling	out	
DSI	DSC Transponder Initialize	out	
DSR	DSC Transponder Response	out	
LRI	UAIS Long-Range Interrogation	out	
LRF	UAIS Long-Range Function	out	
SSD	Station Static Data	in	
TXT	Text Transmission	out	
VSD	Voyage Static Data	in	
VDM	UAIS VHF Data-link Message	out	
VDO	UAIS VHF Data-link Own-vessel report	out	

3.4.3 Pilot Port CH 5

The used sentence formatters for the pilot plug are the same as those listed for the ECDIS port.

Note: A pilot input/output port is part of an AIS Class A installation. A plug connected to this port should be installed on the bridge near the pilot's operating position, so that a pilot can connect a Personal Pilot Unit (PPU) if required. Also, a power connector for the pilot unit should be available nearby.

The pilot plug should be configured as follows: (Refer to SUB-COMMITTEE ON SAFETY OF NAVIGATION NAV48/18 2.4.2002)

AMP/Receptacle (Square Flanged (-1) or Free-Hanging (-2)), Shell size 11, 9-pin, Std. Sex 206486-1/2 or equivalent with the following connections:

- Tx A (out-) is connected to Pin 1
- Tx B (out+) is connected to Pin 4
- Rx A (in-) is connected to Pin 5
- Rx B (in+) is connected to Pin 6
- Shield is connected to Pin 9

3.4.4 Long Range CH 8

The AIS long range function requires a compatible long range communication system (e.g. Inmarsat-C or MF/HF radio as part of GMDSS). This connection is required in order to activate the long range function of the AIS. Its input/output port must meet the IEC 61162-2 requirements.

Sentence Formatters		Direction
LRI	UAIS Long Range Interrogation	Input
LRF	UAIS Long-Range Function	Input / Output
LR1	UAIS Long-Range Reply Sentence 1	Output
LR2	UAIS Long-Range Reply Sentence 2	Output
LR3	UAIS Long-Range Reply Sentence 3	Output
Field Information: All fields are provided for input and output. For further information please refer to IEC 61993-2 / NMEA 0183 HS V3.0 for detailed field information.		

3.4.5 DGPS – DGNSS Channel 9

Field / Protocol information:

All fields are provided with further information; please refer to ITU-R M.823-2 / RTCM SC 104 for detailed field information.

3.4.6 Alarm Circuit – BIIT Channel 10

The AIS requires that an alarm output (relay) must be connected to an audible alarm device or the ships alarm system, if available.

Alternatively, the BIIT (built-in integrity test) alarm system may use the alarm messages output on the presentation port (ECDIS Port Channel 5), provided the ECDIS alarm system is connected and AIS compatible.

3.4.7 Proprietary Sentences

The proprietary ACR NMEA sentences have the NMEA registered manufacture talker ID “**NAU**”. The \$PNAU sentences are an addition to the standard sentences and offer other manufactures full remote control to the Transponder. The NMEA interface developer’s manual includes the full description of how to use the proprietary ACR manufacturer sentences.

List of ACR related proprietary sentences:

Proprietary NMEA-Sentences \$PNAU

- MID – Mobile (MMS) Id
- ASD – Advanced Ship Data
- RCS – Read Configuration Settings
- STO - Set Transponder Options
- TSI - Transponder State Information
- SCR - Sensor Configuration Request
- SCA - Sensor Configuration Acknowledge
- SCD - Sensor Configuration Data
- SCM - Sensor Configuration Mode
- AIQ - Request status information from the Transponder

3.5 Sensor Interface Definitions

All interface ports of the NAUTICAST comply with IEC-61162-1 / -2 and NMEA-0183 HS 3.0 specifications (aligned to RS422 parameters).

3.5.1 Talker drive circuits

The maximum output current is $I_{\max} = 50\text{mA}$ on each port. The drive circuit meets the requirements of ITU-T V.11.

3.5.2 Listener Receiver Circuits

Multiple listeners may be connected to a single talker. Optional termination resistors (120Ohm) for the input lines are provided in the connection box. The input terminals A, B and C are electrically isolated from the remaining electronics of the listening device. The input impedance is 30kOhm between A and B lines, disregarding the connection of termination resistors. The minimum input voltage is $\pm 0,3\text{V}$. The listener's receiver circuit complies with ITU-T V.11.

3.5.3 Electrical isolation

There are no direct electrical connections between the signal lines A and B. The signal ground C must not be connected to the ship main ground or power line! This isolation is in accordance with IEC 60945.

3.5.4 Maximum voltage on the bus

The maximum applied voltage between signal lines A and B and between either line and ground C is in accordance with ITU-T V.11. For protection against incorrect wiring and for unintended connection to older TALKER models, all receiver circuit devices are capable of withstanding 15 V between both lines and signal ground for an indefinite period.

3.5.5 Data transmission

Data is transmitted in serial asynchronous form in accordance with IEC 61162-1. The first bit is a start bit, and is followed by data bits, whereby the least significant bit is first. The following parameters are used:

- Baud rate 38 400 (bits/s) 9600 (bits/s) 4 800 (bits/s)
- Data bits 8 (D7 = 0), parity none
- Stop bits 1.

3.6 Sensor notes

External Sensor

The AIS has interfaces (configurable as IEC 61162-1 or 61162-2) for position, bottom track (BT) speed, heading and rate of turn (ROT) sensors. In general, sensors installed in compliance with other carriage requirements of SOLAS Chapter V should be connected to the AIS System.*1. The sensor information transmitted by AIS should be the same information being used for navigation of the ship. Interfacing problems might occur if the existing on board sensors do not have serial (IEC 61162) outputs. A converter is needed to translate the non conform data to IEC 61162 – sensor data. For Example ACR Converter type P/N 2641.

*1) The fact that AIS is fitted on board a vessel does **NOT** entail the need to install additional sensors other than those stated in the carriage requirements.

External GPS

GNSS position sensors normally have IEC 61162 outputs suitable for direct AIS interfacing. However, it is important to note that:

- The Geodetic Datum of the position data is transmitted by the sensor in WGS84 so that an IEC 61162 DTM sentence is configured.
- AIS is able to process two reference points for its antenna position, one for external, and one for an internal sensor. If more than one external reference point is used, the appropriate information needs to be input to the AIS, so that the reference point information is suitably adjusted.

External Heading

A gyrocompass providing heading information is a mandatory sensor input to the AIS. A converter unit (synchro or step-signal converter to NMEA 0183 v.3.0 for example ACR Converter type P/N 2641 will be needed for AIS connection in the case that the ship's gyrocompass does not provide IEC 61162 output.

External Speed and Course

If a bottom track (BT)log for speed over ground (SOG) is available, it may be connected. A converter (for example Raytheon converter type: 133-812) is needed if the BT-log does not provide IEC 61162 outputs

External Rate of Turn

Not all ships will carry a Rate-Of-Turn (ROT) indicator according to IMO A.526. However, if a rate-of-turn indicator is available and it includes an IEC 61162 interface, it should be connected to the AIS.

If ROT information is not available from a ROT indicator, it may (optionally) be derived from heading information through:

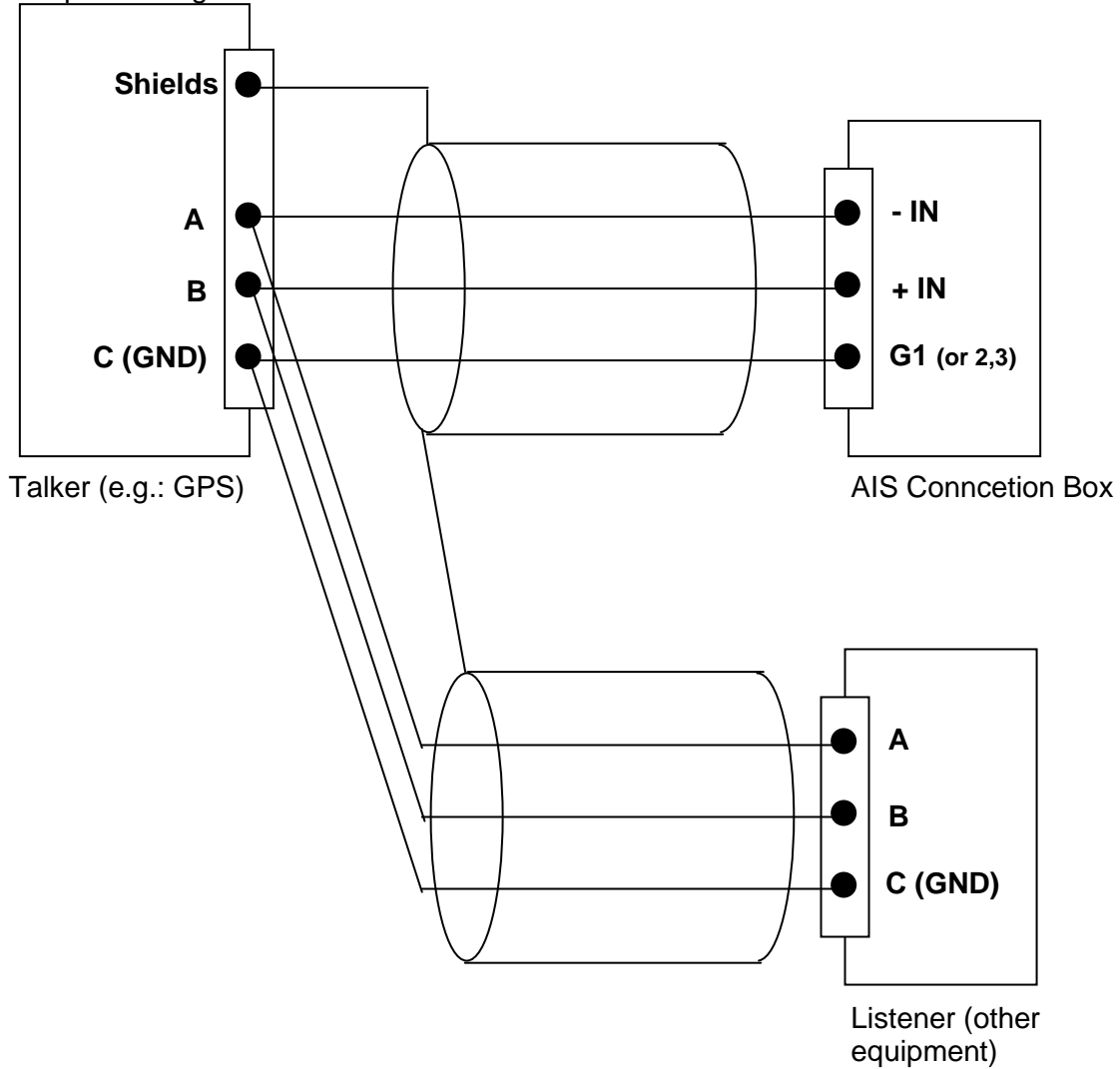
- The gyrocompass itself,
- An external converter unit (see Heading),
- The AIS itself (calculated ROT).

3.7 Sensor Hardware Installation:

3.7.1 Installation of an RS422 serial interface:

In most cases, the output from a GPS is already being used by existing navigation equipment. It is possible to split an RS 422 output for two devices. If the signal becomes too low, then an NMEA splitter has to be used.

Example for single talk multi-listener connection:



Each interface on the Transponder is a RS422 serial interface
The shield or ship main ground should not be connected with the signal ground (GND).

3.8 Sensor Software Configuration

3.8.1 Introduction

The AIS NAUTICAST requires a connection to various sensor devices. Sensor Configuration should enable compatibility with existing navigation devices aboard any vessel. This chapter deals with several ways to configure the NAUTICAST and to comply with the requirements of the specific sensor interfaces.

Configuration and display is visible on two screens of the Sensor Configuration Menu. The NAUTICAST offers the following configuration options:

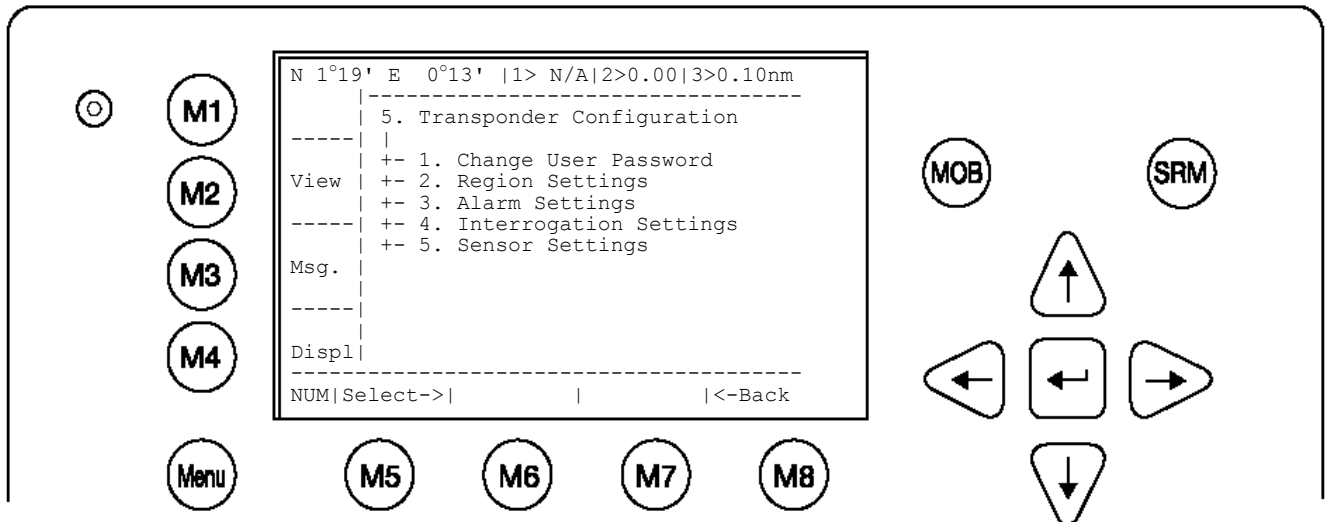
- Set up data speed 4800/9600/38400 baud.
- Monitor the connected sensor inputs for each sensor channel.
- Verify and edit the Sensor Configuration on the display screen.
- Analyze the information received from the connected sensor devices.
- Produce an electronic installation report.
- Configuration of various NMEA protocols.

The individual options may be repeated until the required configuration for the connected sensor devices is achieved.

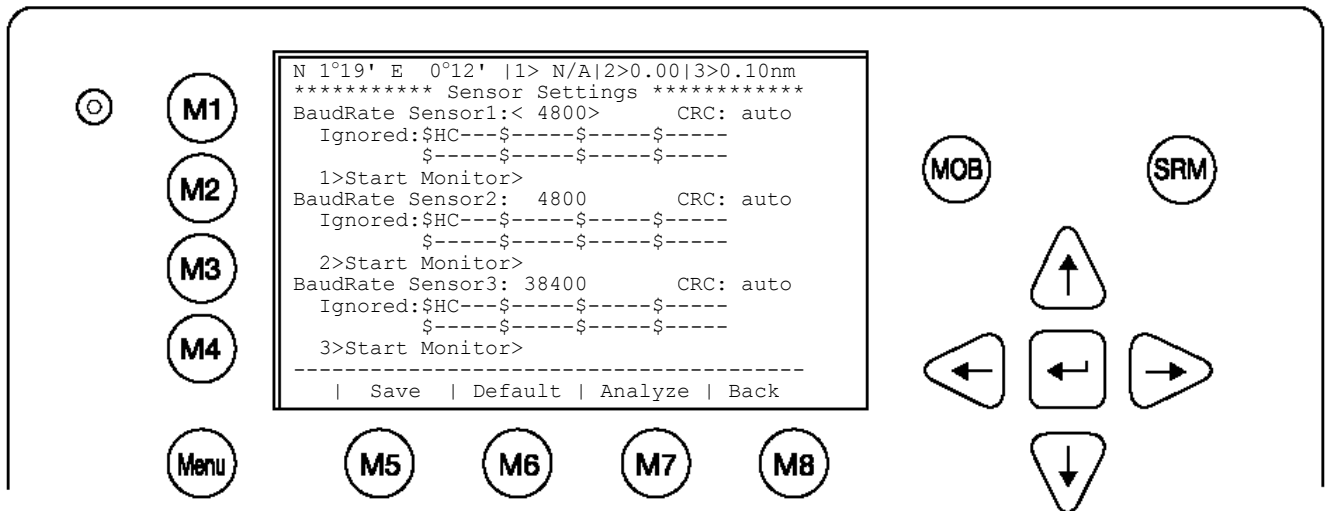
During the configuration process, the NAUTICAST is not operational.

3.8.2 Set up Sensor Speed, Checksum (CRC) and NMEA Talker and Sentence ID

Sensor configuration is available in the AIS software versions higher than 2.0.1.0. It is accessible via the new submenu '5. Sensor Settings' in the Service Password protected menu: '5. Transponder Configuration'.



After accessing the Sensor Configuration menu this main configuration screen is active:



A variety of possible settings can be made on this screen. It is possible to navigate from one configuration item to another by pressing the **up** and **down** arrow keys.

Value will be changed by pressing the left and right arrow key.

The fastest way to jump from one sensor to another is by pressing numbers 1 – 3 on the keyboard. (Refer also to chapter 3.8.4 for specific information on a particular sensor)

The following changes can be undertaken for each of the sensor interfaces (by **left** and **right** arrow key):

- Changing the baud rate (4800, 9600 and 38400) to the required speed of the sensor device by pressing the right or left arrow keys.
- Enabling or disabling CRC-Checking by pressing the right or left arrow keys.
 <auto> Sentence will be accepted with or without Checksum
 <on> Checksum must be available
- Configuring NMEA sentences, which the system filters and ignores
 There are 5 entry fields where characters can be input. Two positions of each entry field are for Talker-Id, and three for Sentence-Id, which represents the NMEA-sentence which should be ignored by the system.

(i.e. the default setting: “HC” means ignore all NMEA records starting with HC on this particular sensor interface)

Note: HC stands for magnetic north and should be ignored.

For Example:

--VTG means all VTG sentence IDs will be ignored like GPVTG, GNVTG...

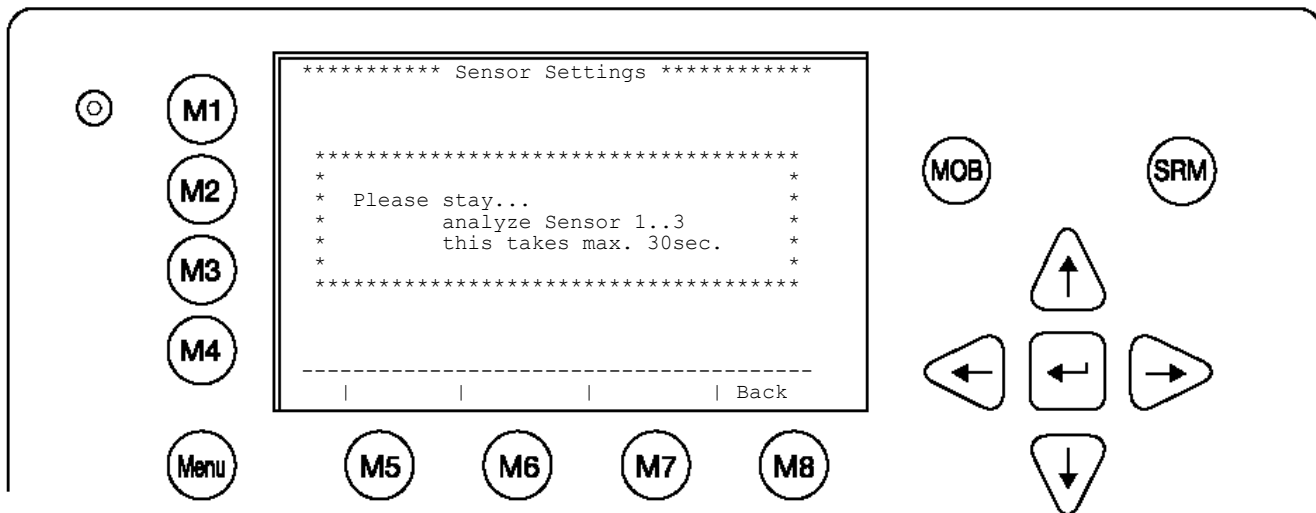
VW--- means all VW Talkers ID from speed log will be ignored like VVVHW, VVVBW

Changes on this screen can be saved by pressing the **“Save”** – Button [M5].

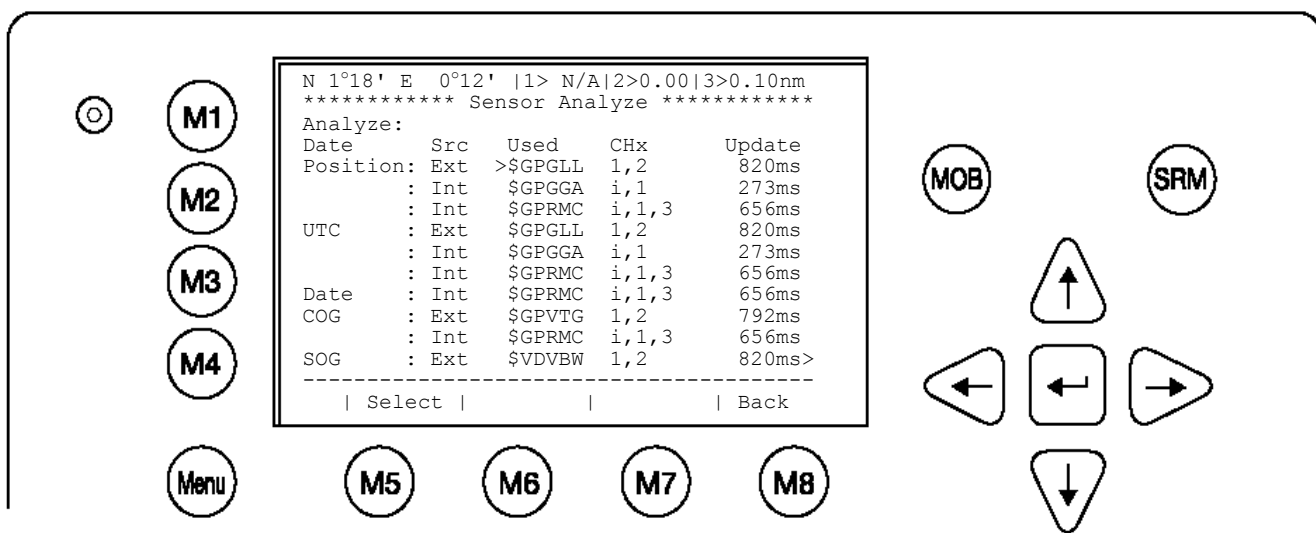
The factory settings can be recalled by pressing the **“Default”** – Button [M6].

Returning back to the previous screen is possible by pressing the **“BACK”** – Button [M8].

The next step is the analysis of the current sensor interface settings, which can be undertaken with the **“Analyze”** – Button [M7]. After pressing this button, the real-time analysis of the sensor data stream begins. This process takes around 30 seconds and is visible on a temporary screen.



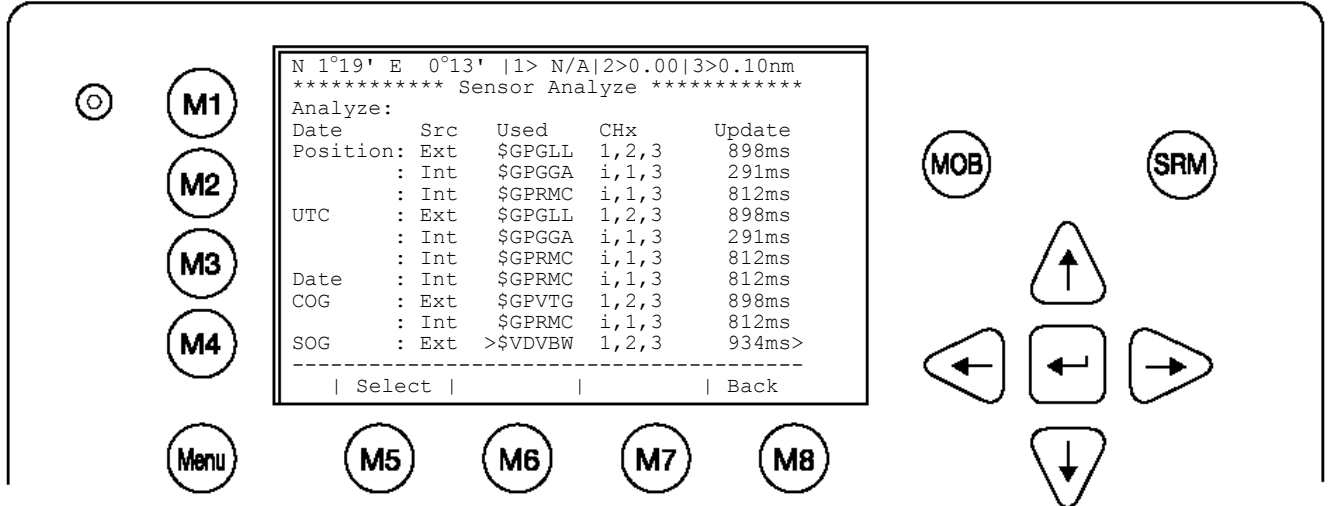
It is possible to interrupt this process by pressing the **“Back”** - Button [M8].
 After the analysis is complete, the Transponder will list the data used for the AIS operation.



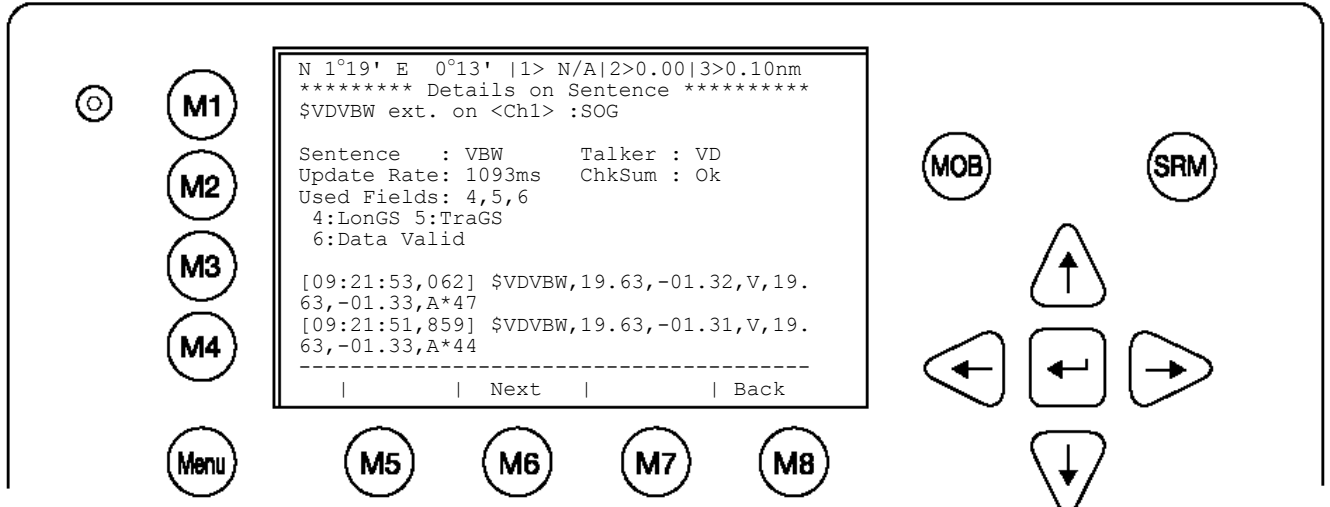
3.8.3 Real-Time Analysis of NMEA Data Streams

After these configuration procedures, an overview of the current Sensor Software Configuration has been attained.

This filtered NMEA data can be analyzed further. The data source is shown on the screen below. The source can be internal or external devices, the received NMEA sentence and the channel where this data was identified (Sensor 1, 2, 3 or calculated), as well as the measured update rate.



To view any NMEA sentence in detail, the required data line can be selected by pressing [Enter]. The detailed information on this source appears as follows:



It is possible to scroll through the sources of this sensor interface channel by pressing the “Next” –Button [M6]. The previous menu can be accessed at any time by pressing the “Back” – Button [M8].

Each time the analysis process for sensor configuration is undertaken; a trace file (see below) is automatically generated and sent out to the ECDIS-Port. This output can also be used as a Sensor Configuration Report.

```

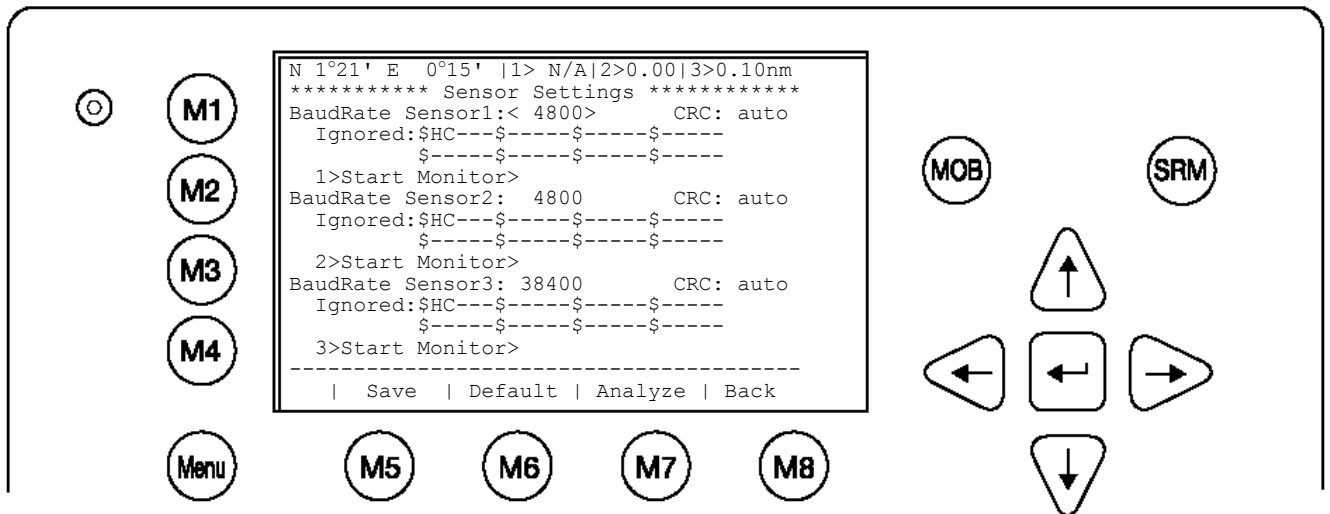
$PNAUSCA,4800,4800,4800,1
$PNAUSCD,----- Sensor Settings -----
$PNAUSCD,Date      : 06/22/2004 08:57:05
$PNAUSCD,Hardware : AIS Transponder Class A
$PNAUSCD,Software : 2.0.0.11R3
$PNAUSCD,SW Stamp : Jun 14 2004 11:46:10
$PNAUSCD,LAT      : N 53°30.123' LON : E 10° 1.234'
$PNAUSCD,Heading  : ExtHDT:0° iRot : 0°/min
$PNAUSCD,IMO No.  : 303174162 MMSI: 2222222
$PNAUSCD,ShipName : U4 CS : D11233
$PNAUSCD,ShipType : Pilot vessel
$PNAUSCD,Length   : 220m Beam: 43m
$PNAUSCD,RefPtExt : A200 B20 C10 D33m
$PNAUSCD,RefPtInt : A190 B30 C20 D23m
$PNAUSCD,Cargo    : N/A or harmless
$PNAUSCD,Draught  : 24.8m
$PNAUSCD,Dest.    : CASABLANCA
$PNAUSCD,ETA      : 10/13 12:31
$PNAUSCD,NavStat  : Engaged in fishing
$PNAUSCD,EPFDType: GPS
$PNAUSCD,----- Sensor Settings -----
$PNAUSCD,BaudRate Sensor1: 4800 CRC:auto
$PNAUSCD,Ignored:$-----$-----$-----$-----
$PNAUSCD,          :$-----$-----$-----$-----
$PNAUSCD,BaudRate Sensor2: 4800 CRC:auto
$PNAUSCD,Ignored:$HC---$-----$-----$-----
$PNAUSCD,          :$-----$-----$-----$-----
$PNAUSCD,BaudRate Sensor3: 4800 CRC:auto
$PNAUSCD,Ignored:$HC---$-----$-----$-----
$PNAUSCD,          :$-----$-----$-----$-----
$PNAUSCD,----- Sensor Settings -----
$PNAUSCD,Analyze:
$PNAUSCD,Date      Src    Used    CHx      Update
$PNAUSCD,Position: Ext    $GPGLL 1        955ms
$PNAUSCD,UTC       : Int    $GPGGA i        952ms
$PNAUSCD,Date      : Int    $GPRMC i        951ms
$PNAUSCD,COG       : Ext    $VDVBW 1 Calc   952ms
$PNAUSCD,SOG       : Ext    $VDVBW 1 Calc   952ms
$PNAUSCD,Heading  : Ext    $TIHDT 1        953ms
$PNAUSCD,ROT       : Ext    $TIROT 1        949ms
$PNAUSCD,----- Sensor Settings -----
$PNAUSCD,Monitoring Sensor Channel 1
$PNAUSCD,[08:56:35,000] $TIROT,0.0,A
$PNAUSCD,[08:56:35,255] $GPGLL,5330.1234,N,01001
$PNAUSCD,.2345,E,141800.00,A,A
$PNAUSCD,[08:56:35,410] $GPVTG,350.0,T,,M,10.0,N
...
...

$PNAUSCD,[08:49:50,806] $TIHDT,359.9,T
$PNAUSCD,----- ROT : -----
$PNAUSCD,$TIROT ext. on Ch1 :ROT
$PNAUSCD,
$PNAUSCD,Sentence : ROT Talker : TI
$PNAUSCD,Update Rate: 949ms ChkSum : N/A
$PNAUSCD,Used Fields: 1,2
$PNAUSCD, 1:Rate Of Turn
$PNAUSCD, 2:Data Valid
$PNAUSCD,
$PNAUSCD,[08:49:52,900] $TIROT,0.0,A
$PNAUSCD,[08:49:51,950] $TIROT,0.0,A
$PNAUSCD,[08:49:51,001] $TIROT,0.0,A
$PNAUSCD,
$PNAUSCD,----- Sensor Settings -----

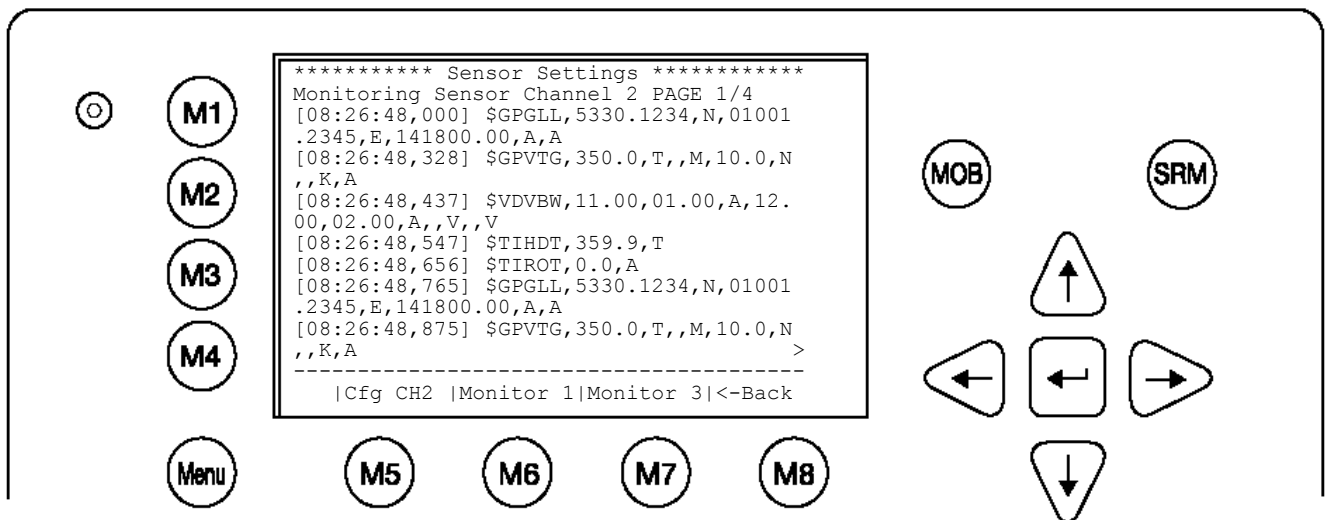
```

3.8.4 Sensor Monitoring for Problem Analysis

For specific information on a particular sensor, the NMEA input data can be monitored and is listed on the AIS display.



From the Sensor Configuration main screen one of the three sensor channels may be selected by pressing **1**, **2** or **3** or by using the cursor keys. By pressing the **right** cursor, the monitoring process is started.



Complete NMEA sentence are shown. With **Monitor 2** [M6] or **Monitor 3** [M7] another sensor channel can be selected.

3.8.5 Priority Handling of Sensor Sentence

This table shows the priority handling of NMEA sentences. The sentences which are treated with higher priority are listed first.

Positioning System	Source	Priority
HIGH		
Time of Position		↓
Latitude/Longitude	GNS	
Position accuracy	GLL	
	GGA	
	RMC	
Rate of Turn (ROT)	ROT	
Reference Datum	DTM	
Speed over Ground	VBW	
	VTG	
	OSD	
	RMC	
Heading	HDT	
	OSD	
RAIM Indicator	GBS	↓
LOW		

3.8.6 Supported NMEA-0183 Sentences

DTM - Reference

```

      1   2 3   4 5   6 7   8   9
      |   | |   | |   | |   |   |
$--DTM,ccc,a,x.x,a,x.x,a,x.x,ccc*hh<CR><LF>

```

Field Numbers:

- 1) Local datum code (W84,W72,S85,P90,999-user defined, IHO datum code)
- 2) Local datum subdivision code
- 3) latitude offset, minutes
- 4) N or S (North or South)
- 5) longitude offset, minutes
- 6) E or W (East or West)
- 7) altitude offset, meters
- 8) Reference datum code ((W84,W72,S85,P90)
- 9) CRC

Used Fields: 1,8

- 1: Local datum code
- 8: Reference datum code

GGA - Positioning System Fix Data

Time, Position and fix related data form GPS receiver.

```

                                     11
      1           2           3 4           5 6 7 8   9 10 | 12 13 14 15
      |           |           | |           | | | |   | | | | | |
$--GGA,hhmmss.ss,llll.ll,a,yyyy.yy,a,x,xx,x.x,x.x,M,x.x,M,x.x,xxxx*hh

```

Field Numbers:

- 1) UTC
- 2) Latitude
- 3) N or S (North or South)
- 4) Longitude
- 5) E or W (East or West)
- 6) GPS Quality Indicator,

- 0 - fix not available,
- 1 - GPS fix,
- 2 - Differential GPS fix
- 7) Number of satellites in view, 00 - 12
- 8) Horizontal Dilution of precision
- 9) Antenna Altitude above/below mean-sea-level (geoid)
- 10) Units of antenna altitude, meters
- 11) Geoidal separation, the difference between the WGS-84 earth ellipsoid and mean-sea-level (geoid), \- \ means mean-sea-level below ellipsoid
- 12) Units of geoidal separation, meters
- 13) Age of differential GPS data, time in seconds since last SC104 type 1 or 9 update, null field when DGPS is not used
- 14) Differential reference station ID, 0000-1023
- 15) CRC

Used Fields: 1,2,3,4,5,6,7
 1:UTC 2:Lat 3:LaInd 4:Lon
 5:LoInd 6:Acc 7:Sat

GLL - Position - Latitude/Longitude

1	2 3	4 5	6 7 8

\$--GLL, llll.ll, a, yyyyy.yy, a, hhmmss.ss, A, a*hh<CR><LF>

Field Numbers:

- 1) Latitude
- 2) N or S (North or South)
- 3) Longitude
- 4) E or W (East or West)
- 5) Universal Time Coordinated (UTC)
- 6) Status A - Data Valid, V - Data Invalid
- 7) Mode indicator
- 8) CRC

Used Fields: 1,2,3,4,5,6,7
 1:Lat 2:LaInd 3:Lon 4:LoInd
 5:UTC 6:Valid 7:Acc

GNS - Fix Data

1	2	3 4	5 6	7 8	9	10	11	12	13

\$--GNS, hhmmss.ss, llll.ll, a, yyyyy.yy, a, c--c, xx, x.x, x.x, x.x, x.x, x.x, x.x*hh

Field Numbers:

- 1) UTC
- 2) Latitude
- 3) N or S (North or South)
- 4) Longitude
- 5) E or W (East or West)
- 6) Mode indicator
- 7) Total number of satellites in use, 00-99
- 8) HDROP
- 9) Antenna altitude, meters, re:mean-sea-level (geoid)
- 10) Geoidal separation meters
- 11) Age of differential data
- 12) Differential reference station ID
- 13) CRC

Used Fields: 1,2,3,4,5,6,7
 1:UTC 2:Lat 3:LaInd 4:Lon
 5:LoInd 6:Acc 7:Sat

RMC - Minimum Navigation Information

```

1 2 3 4 5 6 7 8 9 10 11 12 13
| | | | | | | | | | | |
$--RMC,hhmmss.ss,A,llll.ll,a,yyyy.yy,a,x.x,x.x,ddmmyy,x.x,a,a*hh<CR><LF>

```

Field Numbers:

- 1) UTC Time
- 2) Status, V = Navigation receiver warning
- 3) Latitude
- 4) N or S
- 5) Longitude
- 6) E or W
- 7) Speed over ground, knots
- 8) Course over Ground, degrees true
- 9) Date, ddmmyy
- 10) Magnetic Variation, degrees
- 11) E or W
- 12) Mode Indicator
- 13) CRC

Used Fields: 1,2,3,4,5,6,7,8,9,10,11,12
 1:UTC 2:Valid 3:Lat 4:LaInd 5:Lon 6:LoInd
 7:SOG 8:COG 9:Date 10:MagV 11:MagIn 12:Acc

VBW - Ground/Water Speed

```

1 2 3 4 5 6 7
| | | | | |
$--VBW,x.x,x.x,A,x.x,x.x,A*hh<CR><LF>

```

Field Numbers:

- 1) Longitudinal water speed, \- \ means astern
- 2) Transverse water speed, \- \ means port
- 3) Status, A = Data Valid
- 4) Longitudinal ground speed, \- \ means astern
- 5) Transverse ground speed, \- \ means port
- 6) Status, A = Data Valid
- 7) CRC

Used Fields: ,5,6
 4:LonGS 5:TraGS 6:Valid

VTG - made good and Ground speed

```

1 2 3 4 5 6 7 8 9 10
| | | | | | | |
$--VTG,x.x,T,x.x,M,x.x,N,x.x,K,A*hh<CR><LF>

```

Field Numbers:

- 1) Track Degrees
- 2) T = True
- 3) Track Degrees
- 4) M = Magnetic
- 5) Speed Knots
- 6) N = Knots
- 7) Speed Kilometres per Hour
- 8) K = Kilometres per Hour
- 9) Status, A = Data Valid
- 10)CRC

Used Fields: 1,5,6,7,8,9

1:COG 5:SOG 6:SOGIn 7:SOG 8:SOGIn 9:Valid

OSD - Ship Data

```
      1   2 3   4 5   6 7   8   9 10
      |   | |   | |   | |   |   | |
$--OSD,x.x,A,x.x,a,x.x,a,x.x,x.x,a*hh<CR><LF>
```

Field Numbers:

- 1) Heading, degrees true
- 2) Status, A = Data Valid
- 3) Vessel Course, degrees True
- 4) Course Reference
- 5) Vessel Speed
- 6) Speed Reference
- 7) Vessel Set, degrees True
- 8) Vessel drift (speed)
- 9) Speed Units
- 10) CRC

Used Fields: 1,2,3,4,5,6,9

1:HDT 2:HDTVal 3:COG 4:COGRef
5:SOG 6:SOGRef 9:SOGInd

HDT - True

```
      1   2 3
      |   | |
$--HDT,x.x,T*hh<CR><LF>
```

Field Numbers:

- 1) Heading Degrees, true
- 2) T = True
- 3) CRC

Used Fields: 1,2

1:HDT 2:HDTRu

ROT - Of Turn

```
      1   2 3
      |   | |
$--ROT,x.x,A*hh<CR><LF>
```

Field Numbers:

- 1) Rate Of Turn, degrees per minute, \- \ means bow turns to port
- 2) Status, A means data is valid
- 3) CRC

Used Fields: 1,2

1:ROT 2:Valid

3.8.7 Calculated Values

Processed dynamic ship data such as position, SOG etc. is generated by NMEA sentences.

Exceptions:

If "Calc" is displayed on the sensor analyze screen, this means that this sentence is used for calculating dynamic ship data.

ROT out of HDT

ROT direction left / right -/+ will be calculated out of the HDT Message, if a TIROT sentence (only "TI"-Talker devices are valid) is not connected.

ROT > +10°/min	➔	Output +720°/min
ROT < -10°/min	➔	Output -720°/min
Other	➔	Output 0°/min

COG information out of VBW

COG will be generated out of VBW, if HDT is available. In this case the atan2 of the longitudinal and transversal speed plus heading is basis of the calculation.

Longitudinal/Transversal SOG from VBW

If VBW is available, SOG is also calculated without HDT.

3.8.8 Versions of NMEA Sentences

RMC

v2.30 - \$GPRMC,122500.00,A,5330.1234,N,01001.2345,E,11.2,352.2,120202,2.0,E,A
v2.20 - \$GPRMC,122500.00,A,5330.1234,N,01001.2345,E,11.2,352.2,120202,2.0,E

GLL

v2.30 - \$GPGLL,5330.1234,N,01001.2345,E,141800.00,A,A
v2.00 - \$GPGLL,5330.1234,N,01001.2345,E,141800.00,A
v1.50 - \$GPGLL,5330.1234,N,01001.2345,E

GGA

v2.00 - \$GPGGA,092854,5330.1234,N,01001.2345,E,1,3,1.2,65.2,M,45.1,M,,
v1.50 - \$GPGGA,092854,5330.1234,N,01001.2345,E,1,3,1.2,65.2,M,45.1,M

VBW

v2.30 - \$VDVBW,11.00,01.00,A,12.00,02.00,A,,V,,V
v2.20 - \$VDVBW,11.00,01.00,A,12.00,02.00,A

VTG

v2.30 - \$GPVTG,350.0,T,,M,10.0,N,,K,A
v2.20 - \$GPVTG,350.0,T,,M,10.0,N,,K

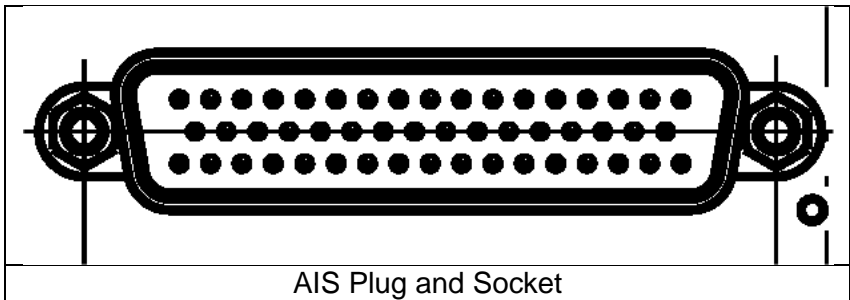
OSD

v2.30 - \$INOSD,359.9,A,5.2,B,12.6,B,150.0,1.2,N
v2.20 - \$INOSD,359.9,A,5.2,B,12.6,B,150.0

3.9 Pin-Description AIS-Cable / Socket 50-Pins:

TxA → out –
 TxB → out +
 RxA → in –
 RxB → in +

AIS Cable/Socket (Sub-D 50 Plug)					
1	CH5_out+			34	Spare
		18	Ch4_out+		
2	CH5_out-			35	Spare
		19	CH4_out-		
3	CH5_gnd			36	Spare
		20	CH4_gnd		
4	CH5_in+			37	Spare
		21	CH4_in+		
5	CH5_in-			38	Spare
		22	CH4_in-		
6	CH6_Vin			39	CH9_gnd
		23	CH8_in+		
7	CH6_gnd			40	CH9_out-
		24	CH8_in-		
8	CH6_CANL			41	CH9_in-
		25	CH8_gnd		
9	CH6_CANH			42	CH9_in+
		26	CH8_in+		
10	CH1_in-			43	CH9_out+
		27	CH8_in-		
11	CH1_gnd			44	Spare
		28	Spare		
12	CH1_in+			45	Spare
		29	CH3_in-		
13	CH2_in-			46	CH10_1
		30	CH3_gnd		
14	CH2_gnd			47	CH10_2
		31	CH3_in+		
15	CH2_in+			48	Vin_gnd
		32	Vin_gnd		
16	Vin+ (24V)			49	Vin_gnd
		33	Vin+ (24V)		
17	Vin+ (24V)			50	Spare
CH1	Sensor	CH4	ext. Display	CH8	Long Range
CH2	Sensor	CH5	aux. Display	CH9	DGNSS
CH3	Sensor	CH6	opt. 61162-3	CH10	BIIT / Relay (max. 30V DC / 1A)
Spare	Do not use				

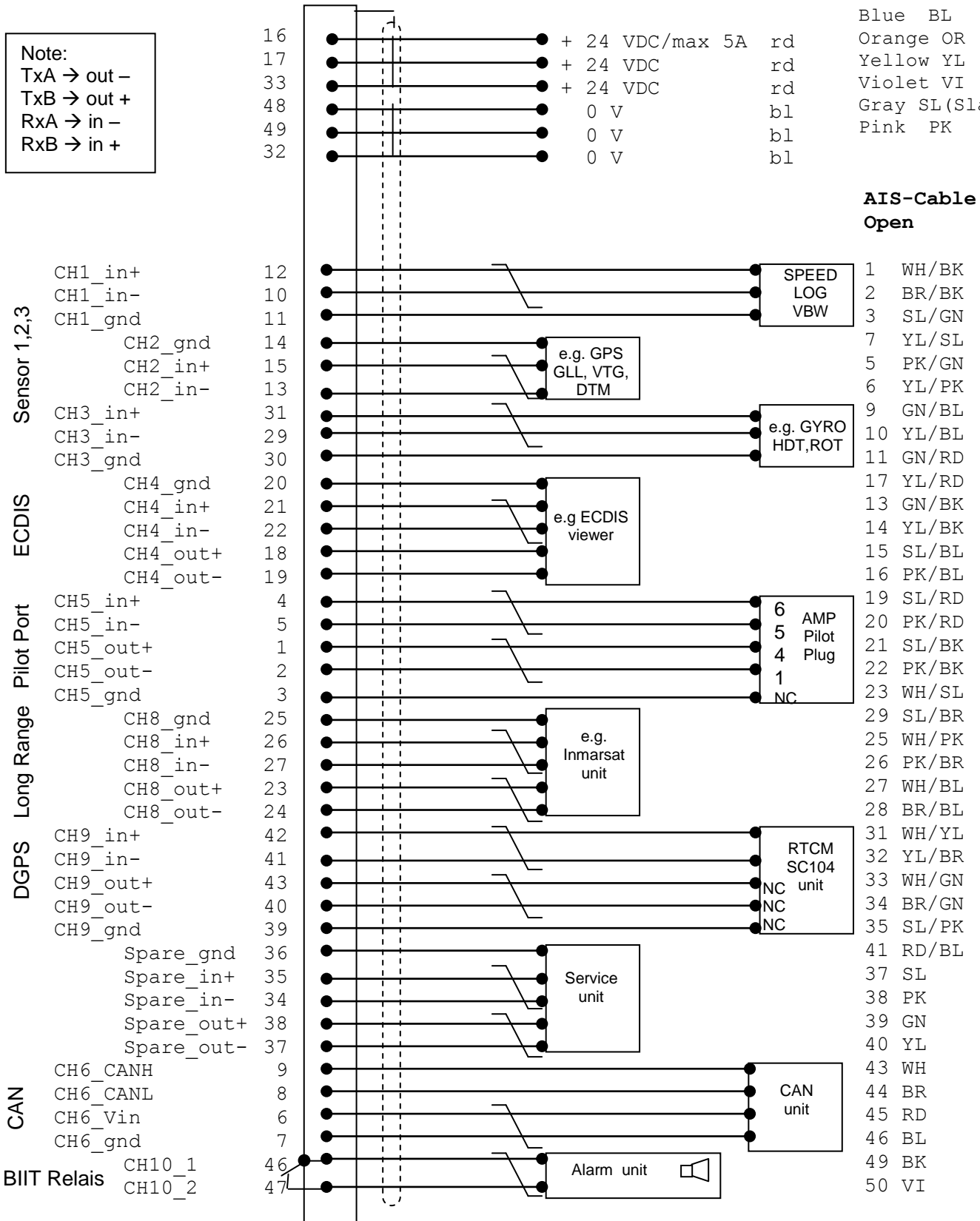


3.10 Pin-Description AIS-Connector:

Black	BK
White	WH
Red	RD
Green	GN
Brown	BR
Blue	BL
Orange	OR
Yellow	YL
Violet	VI
Gray	SL(Slate)
Pink	PK

AIS -Cable Sub-D 50 Plug

Note:
 TxA → out -
 TxB → out +
 RxA → in -
 RxB → in +



3.11 Installation of VHF / GPS Antennas

Interference to the Ship's VHF Radiotelephone

The AIS ship borne equipment, like any other ship borne transceiver operating in the VHF maritime band, may cause interference to a ship's VHF radiotelephone. Because AIS is a digital system, this interference may occur as a periodic (e.g. every 20 seconds) soft clicking sound on the ship's radiotelephone. This affect may become more noticeable if the VHF radiotelephone antenna is located close to the AIS VHF antenna, and when the radiotelephone is operating on channels near the AIS operating channels (e.g. channels 27, 28 and 86).

Attention should be paid to the location and installation of the various antennas, in order to support the antenna characteristics in the best possible way.

3.11.1 VHF Antenna Installation

Antenna Location

Location of the mandatory AIS VHF-antenna should be carefully considered. Digital communication is more sensitive than analogue/voice communication to interference created by reflections caused by obstructions such as masts and booms. It may be necessary to relocate the VHF radiotelephone antenna to minimize interference effects.

To minimize the interference effects, the following guidelines apply:

- The AIS VHF antenna should have omni directional vertical polarization providing 3 to 5 dB gain.
- The AIS VHF antenna should be placed in an elevated position, as free standing as possible, with a minimum of 2 meters in horizontal direction from constructions made of conductive materials. The antenna should not be installed close to any large vertical obstruction. The AIS VHF antenna should have a visible sky of 360°.
- The AIS VHF antenna should be installed at least 3 meters away from interfering high-power energy sources such as radar and other transmitting radio antennas, and out of the way of the transmitting beam.
- There should not be more than one antenna on each level. The AIS VHF antenna should be mounted directly above or below the ship's primary VHF radiotelephone antenna, with no horizontal separation and a minimum of 2 meters vertical separation. If it is located on the same level as other antennas, the distance apart should measure at least 10 meters.

See also sample for antenna layout in the Appendix (**Error! Reference source not found.**)

Cabling

The cable should be kept as short as possible to minimize attenuation of the signal. Double shielded coaxial cables equal to or better than RG214 is recommended.

RG214 at VHF attenuation per meter of app. 0,07 dB/m (45m = 3,15db)

VHF AIS frequency app. 162MHz

All outdoor connectors on the coaxial cables should be fitted with preventive isolation, such as shrink-stocking with silicone to protect the antenna cable against water penetration. Coaxial cables should be installed in separate signal cable channels/tubes, and at least 10 cm away from any power supply cables. Crossing of cables should take place at right angles (90°). Coaxial cables should not be exposed to sharp bends, which may lead to changes to the characteristic impedance of the cable. The minimum bend radius should be 5 times the cables outside diameter.

Grounding

Coaxial down-leads must be used for all receiving antennas, and the coaxial screen should be connected to the ground at one end.

3.11.2 GNSS Antenna installation

A Class A AIS must be connected to a GNSS antenna.

Location

The GNSS antenna must be installed where it has a clear view of the sky, so that it accesses the horizon freely through 360°, with a vertical observation of 5 to 90 degrees above the horizon. Small diameter obstructions, such as masts and booms, do not seriously impair signal reception, but such objects must not eclipse more than a few degrees of any given bearing.

The antenna must be located at least three meters away from, and out of the transmitting beam of high-power transmitters (S-Band Radar and/or Inmarsat systems). This includes the ship's own AIS VHF antenna, if it is designed and installed separately. See also sample for antenna layout in Installation Manual Appendix 8.2 (Drawings)

If a DGNSS system is included or connected to the AIS system, the installation of the antenna should be undertaken in accordance with IEC 61108-4, Edition 1.

Cabling

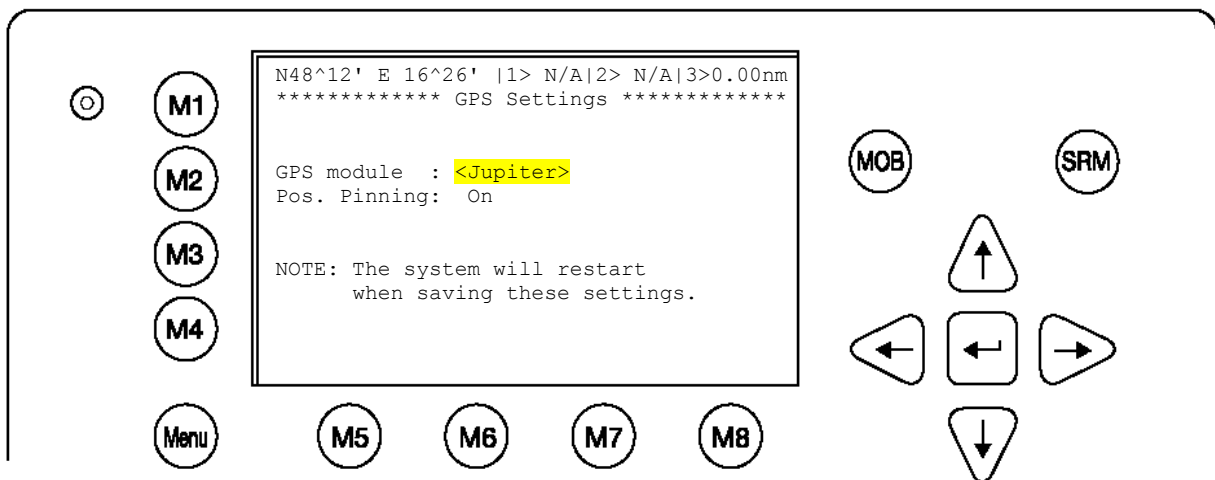
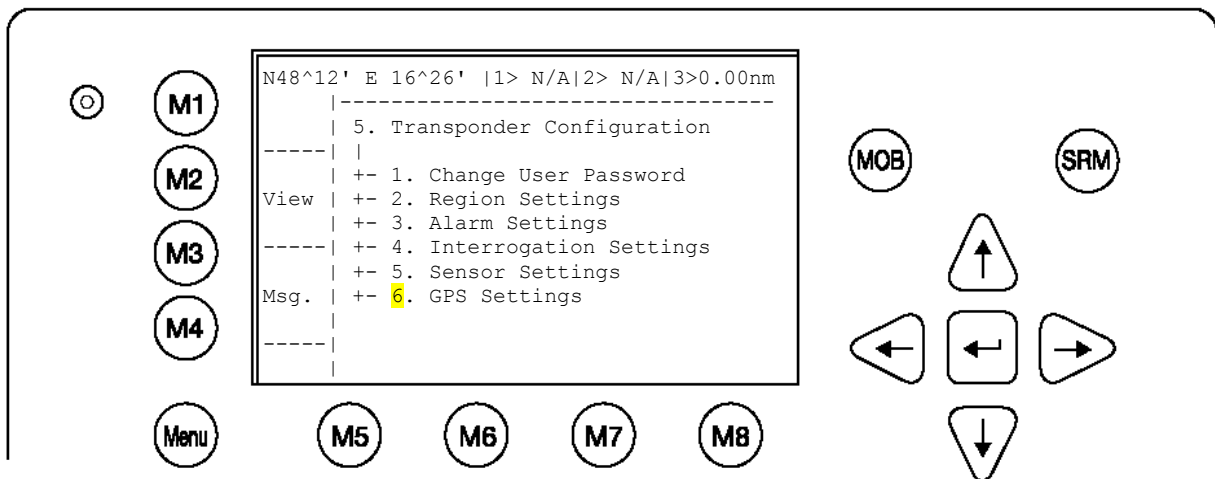
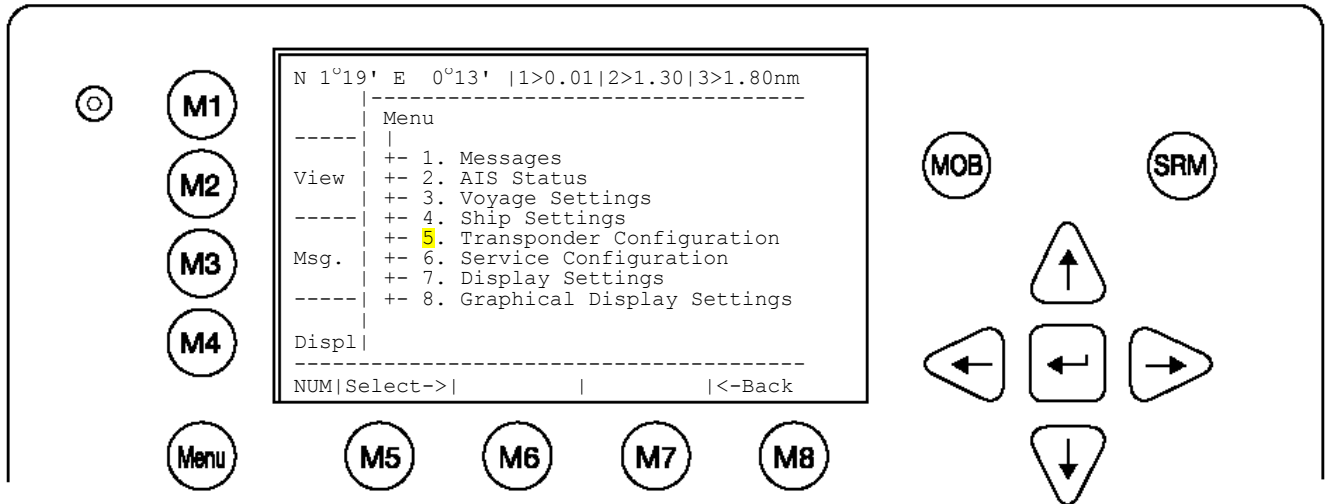
To achieve optimum performance, the gain of the antenna pre-amplifier should match the cable attenuation. The NAUTICAST can be equipped with two different types of internal GPS receivers. It differs between 'Jupiter' and 'uBlox'

The resulting installation gain for Jupiter (pre-amplifier gain - cable attenuation) should be within 0 to 10 dB and for uBlox 5 to 15 dB. RG214 as GPS antenna cable has an attenuation per meter of app. 0,35 dB/m (45m = 15,75dB); GPS frequency app. 1,2GHz).

The coaxial cable between the antenna and the AIS ship borne station connector should be routed directly, in order to reduce electromagnetic interference. The cable should not be installed close to high-power lines, such as radar or radio-transmitter lines, or near the AIS VHF antenna cable. A space of one meter or more is recommended in order to avoid degradation due to RF-coupling. Crossing of antenna cables should take place at 90 degrees, to minimize magnetic field coupling.

Menu 'GPS Settings:

Select from the Main Menu “**Transponder Configuration** ” **Number 5**. Menu is USER password protected. The default password from the factory is mentioned on your AIS display at the protection foil. Please see the appendix in your User Manual for additional password information.. Enter User Password and use the up and down arrows on keypad to select “6. GPS settings” or “by pressing number 6 on the keypad.



GPS module:

The screen provides means to switch the GPS Module between the '<µBlox>' or '<Jupiter>'. You can force the AIS to search again for the GPS Module installed. Selecting the wrong type of GPS module may result in invalid position information and/or malfunction so that your AIS can not operate correct. Select and with [Left] & [Right] arrows the option <SEARCH>to search which module is installed Please mention the system will restart automatically when saving these setting later. .

Position Pinning:

The screen provides means to switch the position pinning function of the internal GPS receiver on and off. For vessels operating with SOG < 0,3 knots it is recommended to switch position pinning off. Otherwise the internal GPS receiver may deliver wrong position information.

The data input field is fitted with the recommended default value (<on>). The M6 button is used for toggling between the two modes of position pinning; the M5 button is used for saving the settings.

NOTE: The system will be restarted after saving the settings.

<µBlox> GPS Receiver:

This GPS receiver is installed in later versions of NAUTICAST. It is designed for use with passive and active antennas. The recommended GPS antenna should have a minimum gain of 15 - 20 dB to compensate signal loss in RF cable. The supplied ACR – GPS antenna is a active type and has a gain of +30dB it is able to dive cable lengths of 45 meters. Antennas with more than 50 dB should not be used. This high signal level can damage the GPS receiver.

<Jupiter> GPS receiver:

As described above, the resulting installation gain should be between 0 to 10 dB. If the internal GPS receiver will be overloaded with more than 18dB, then it could be damaged.

Attenuation values

Type	Name	Part number	Total gain
GPS-Antenna	GPS-Antenna Marina 2	2625	+35dBi
GPS-Antenna	Procom GPS4	2622	+35dBi
Comb. GPS/VHF-Antenna	Comrod AC-17	2624	+20dBi (GPS amp gain)
Cable	RG214	2630	-15,75 dB
Adapter	GPS-VHF Adapter cable with 1m RG58 / TNC connector	2612	-1dB
Connector	TNC plug RG214 crimp	2633	-0,1dB

Example

Procom GPS4	+ 35,00dBi
11m RG214 0,35 dB/m	- 3,85dB
maybe 2 TNC plugs	- 0,20dB
Nauticast with Adapter P/N 2610	-1,00dB
Total	29,95dB
Necessary minimum attenuation (=> 12dB Attenuator needed!)	≥11,95dB
GPS Input	≤18,00dB

NOTE:If installations are not in compliance to this requirement we cannot guarantee operation nor accept a warranty issue.

Antenna Layout

The position of the VHF and GNSS – antennas must be added to the existing antenna layout of the vessel.

3.11.3 Power Supply

The NAUTICAST must be supplied from the emergency power source. A further requirement is to connect AIS to the reserve power source of the GMDSS. A new battery capacity calculation must then be undertaken. See sample in 9.1 (Samples for battery calculation)

Following documents are needed for the installation approval of the classification

- Antenna Layout (arrangement)
- Battery Calculation
- Connection / Block – Diagram with locations
- Type Approval Certificate

4 Starting the NAUTICAST

Setting up your AIS Transponder for operation.

NOTE: IMO REGULATIONS MANDATE THAT YOU ENTER THIS INFORMATION.

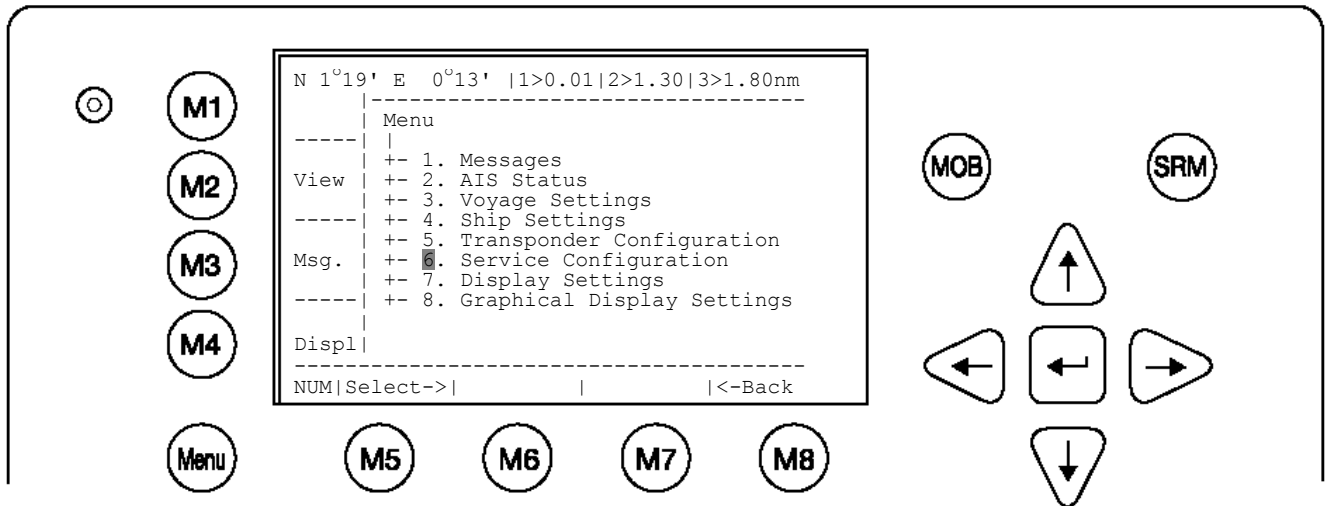
After installing the antennas and hardware the following User, Voyage related and Ship Settings data needs to be entered. Upon Start-up (Applying power) enter the following information.

- a) Enter MMSI Number - See paragraph 4.1 on entering information.
- b) Enter IMO Number - See paragraph 4.1 on Entering information.
- c) Voyage related Data – After initial entry of the Voyage related Data any changes in the information below should be edited accordingly. See Paragraph 4.2 on entering information.
 - Enter Cargo Type
 - Enter Draught
 - Enter Destination
 - Enter ETA
 - Enter Navigation Status.
- d) Enter Ship Settings Data - After initial entry of the Ship Settings Data any changes in the information below should be edited accordingly. See Paragraph 4.3 on entering information.
 - Enter Call Sign
 - Enter Ships Name
 - Enter Length of Ship
 - Enter Beam of Ship
 - Enter Internal GPS antenna Position
 - Enter External GPS Antenna Position (If Applicable).
 - Enter Ship Type
- e) Password – Service and User passwords see section 4.4

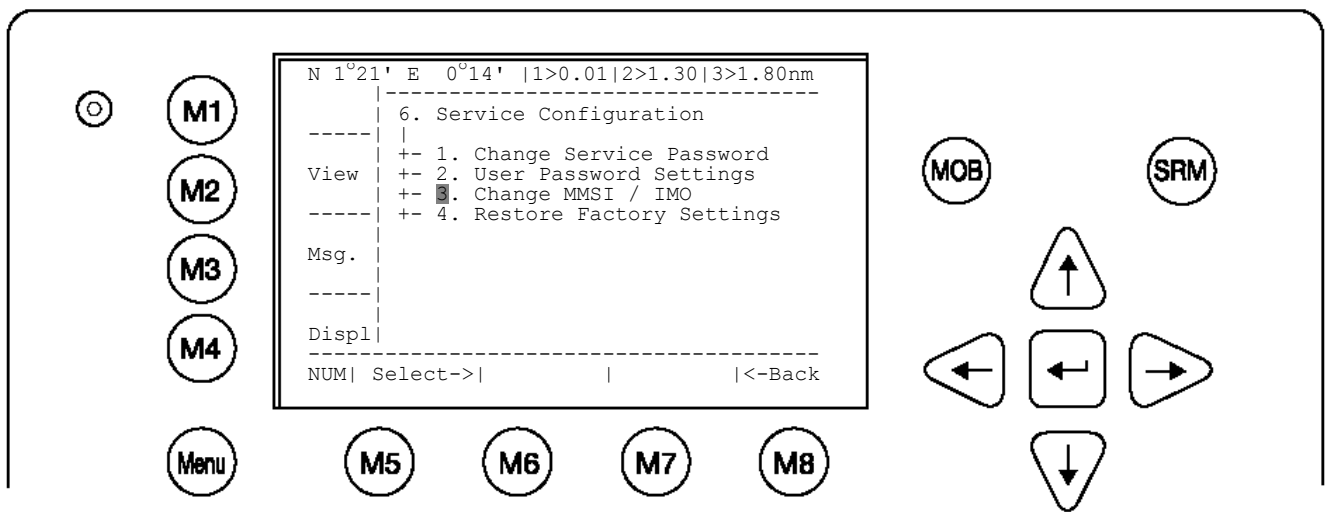
4.1 Entering the MMSI and IMO Numbers:

Select from the Main Menu “**Service Configuration**” **Number 6**. Menu is SERVICE password protected. The default password from the factory is mentioned on your AIS display at the protection foil. Please see the appendix in your User Manual for additional password information.. Enter Service Password and use the up and down arrows on keypad to select “Change MMSI / IMO” than press M5 “Select” or “by pressing number 3 on the keypad.

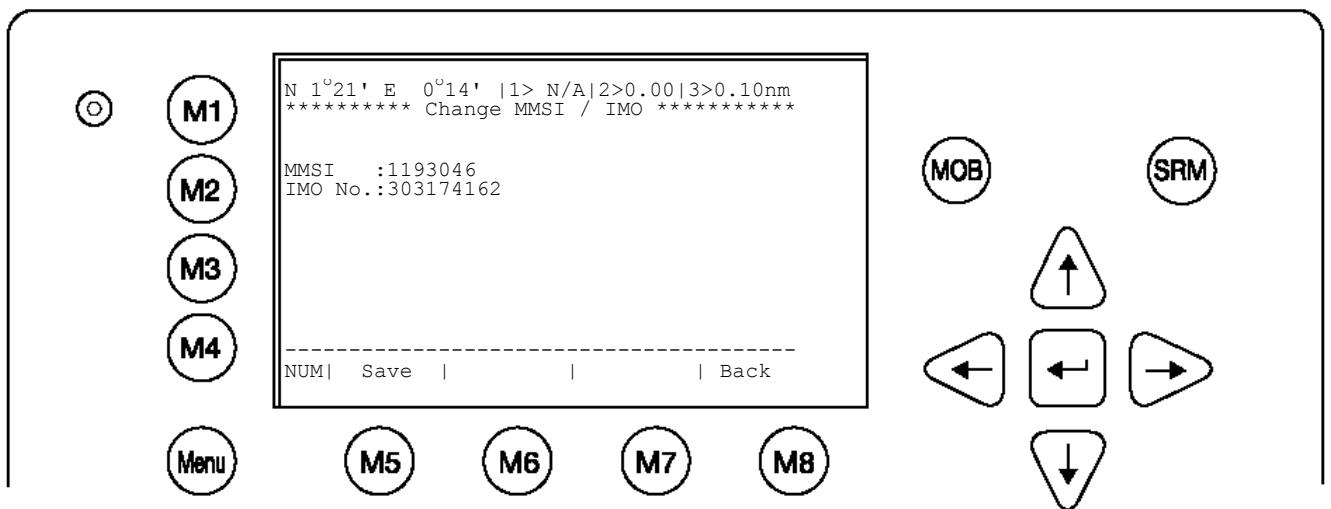
Input your MMSI and IMO number and press Save to store data. Unit will reboot itself after pressing Save. Continue to 4.2 after reboot, if no IMO number is available use the value 0 (Zero).



Service Configuration Menu Example:



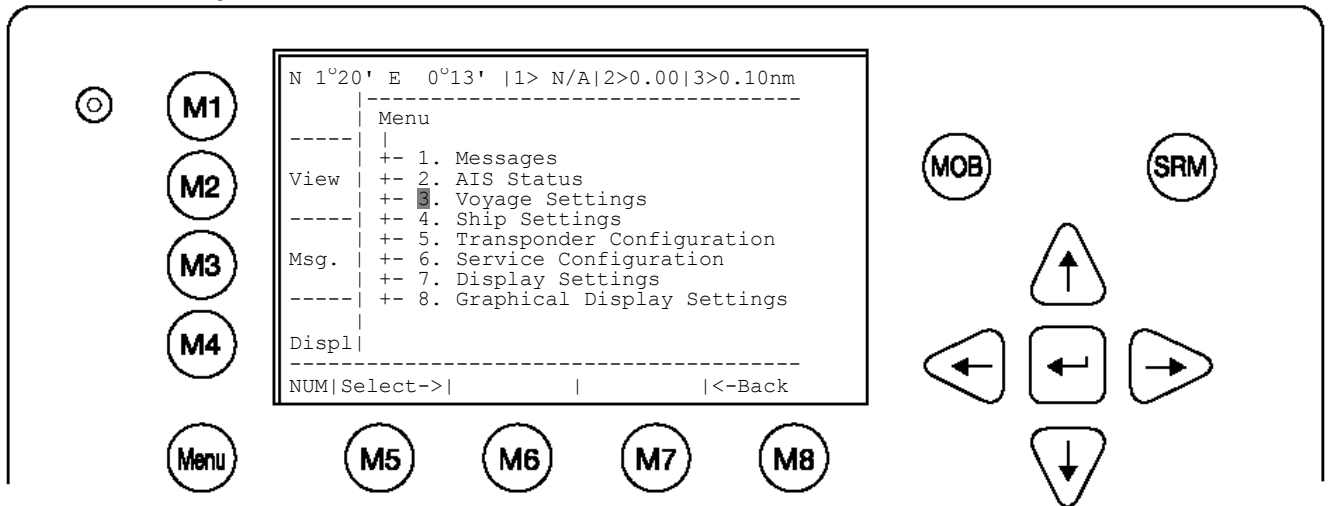
Note: MMSI and IMO Data input are limited to 9 characters.



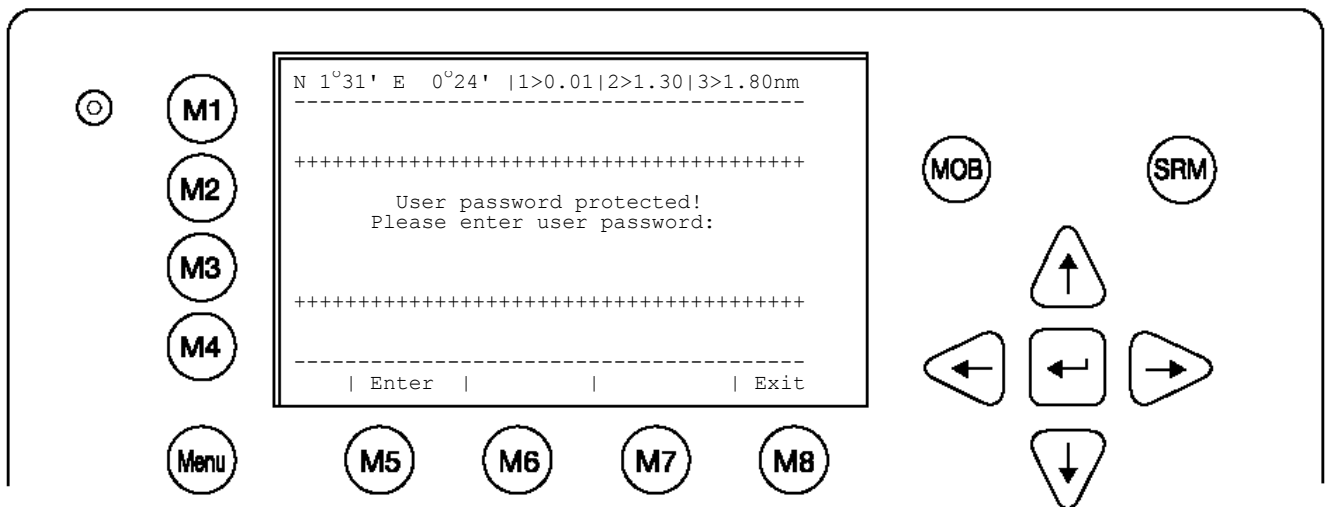
4.2 Entering Voyage Related Data:

Select from the Main Menu “Voyage Settings” Menu is USER password protected. The default password from the factory is mentioned on your AIS display at the protection foil. Please see the appendix in your User Manual for additional password information.. Enter Password and use the up and down arrows to edit Voyage Related data then press Enter or the numeric reference on the keypad to select and edit. Save after editing.

Main Menu Example:



Password inquiry Example: The password query field appears. Input password and press M5 [Enter].

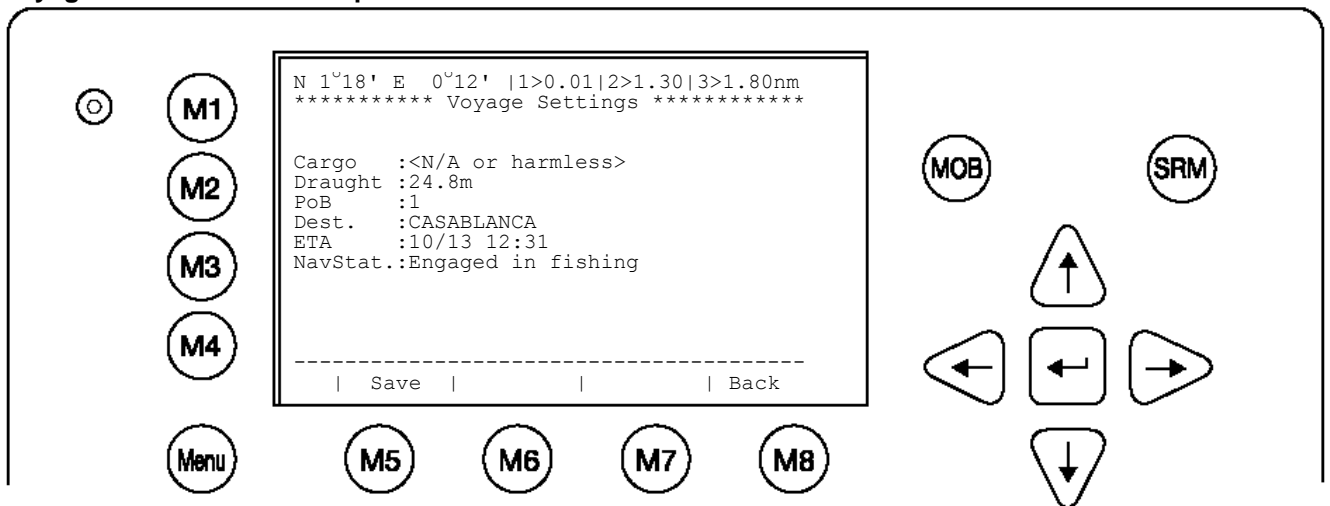


Scroll to the Voyage Setting Fields with M5 [Enter] or up and down arrows and input your vessel data.

Select a default Cargo Type, Draught, POB (Persons on board), Destination, ETA and Navigation Status Setting using the [Left] & [Right] arrow keys.

Save the new settings by pressing [Save], and return to the Main Menu Screen by pressing [Exit]. Press [Back] to return to the Main Menu without saving any changes.

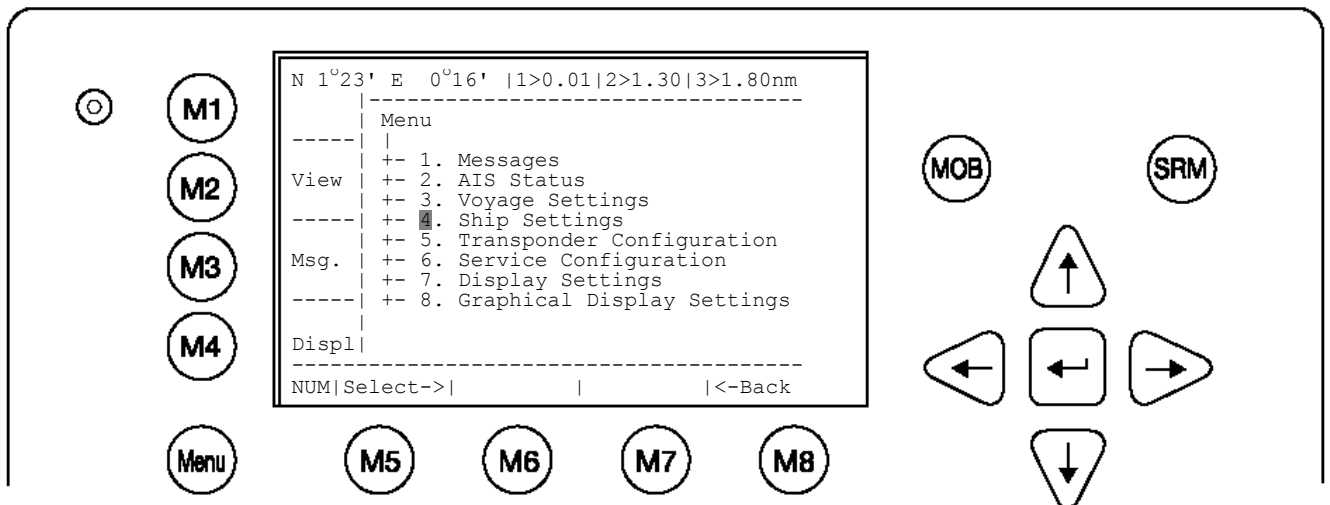
Voyage Related Menu Example:



4.3 Entering Ship Settings:

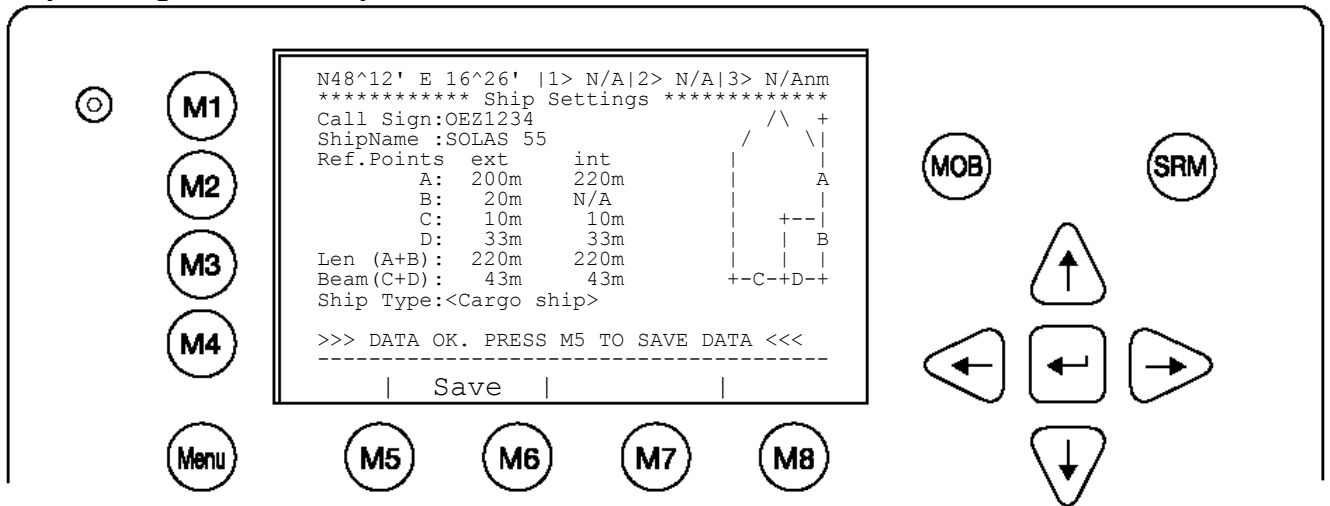
Select from the Main Menu "Ship Settings" Menu is USER password protected The default password from the factory is mentioned on your AIS display at the protection foil. Please see the appendix in your User Manual for additional password information.. Enter Password and use the up and down arrows to edit Ship Settings then press Enter or the numeric reference on the keypad to select and edit. Save after editing.

Main Menu Example:



Select Ship Settings and press M5 [Enter]. Enter User Password and Continue.

Ship Settings Menu Example:



Select and enter Call Sign.

Select and enter Ship Name.

Enter external GPS Antenna Position

Enter internal GPS Antenna Position

Select and enter a default ShipType with the [Left] & [Right] arrows.

Setting the Internal and External GPS Antenna Position.

Note: It is critical for the proper orientation of your ship to other AIS users to enter this data accurately.

Example: Length of ship = 220m and Beam = 43m.

GPS ANTENNA location on ship (is x in above Menu example). Antenna for external GPS is located 200 meters from bow (A) and 33 Meters from Starboard side (D).

Antenna for internal GPS is located 220 meters from bow (A) and 33 Meters from Starboard side (D).

GPS Antenna Mounting

It is important to input the exact mounting position of the GPS Antenna on the vessel as this influences the accuracy of the displayed target in an ECDIS.

(Ref.Points ext:) = The position of any external positioning device (GPS Antenna) used as primary position source.

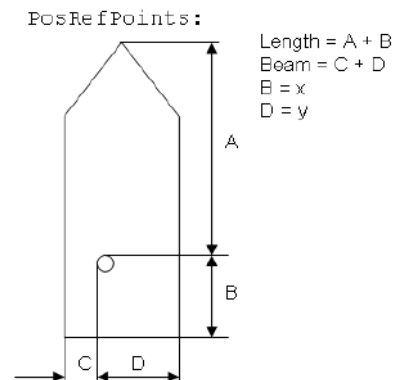
(Ref.Points int:) = The position of the GPS Antenna (fallback device in case primary source is disabled).

After antenna installation, the distance from the sides must be measured and input. Either the distance from the vessel's bow (a) or the stern (b) and starboard (d) and backboard (c) are required.

e.g. A vessel with the following dimensions:

Length: 220m
Beam: 43m

Input: **A: 200 - then press Enter**
 B: 20 - then press Enter
 C: 10 - then press Enter
 D: 33 - then press Enter



Result:

The NAUTICAST automatically calculates A+ B and C + D and shows length and beam of the vessel.

Note: When receiving position data from large vessels, it should be considered that the position refers to the antenna mounting point upon the vessel. To ensure accurate navigation, the antenna reference points (see Other Vessels Details) should be taken into consideration when determining the vessels position.

Also, the electronic chart display in use should be programmed to consider the antenna reference points. Traffic images are represented in true distances only when all displayed targets, including own vessel, are working with AIS position information, which considers Antenna reference points.

Enter Ref.Point int (location of the internal GPS antenna) in the same way.

Input: **A: 220 - then press Enter**
 B: 0 - then press Enter
 C: 10 – then press Enter
 D: 33 – then press Enter

Your external and internal reference points must match the entered ship dimensions. For incorrect dimension it reports:

```
>>> ext/int ship len/beam don't match
```

After correct settings of the reference points and dimensions like length and beam you can press **M5 - [Save]**. to save your settings:

```
>>> DATA OK. PRESS M5 TO SAVE DATA <<<
```

4.4 Service and User Passwords:

The Transponder system is equipped with two levels of Password Protection, User and Service Password.

1) The User Password, which is the lower security level, allows access to all menus except Menu 6: Service Configuration which is protected by the Service Password.

2) The Service Password is required in order to enter the Service Configuration Menu. This is a higher security level than can not be accessed with the User Password and therefore ensures that the Service Configuration is protected, and limited to authorized service personnel.

The master of the vessel has to ensure that only authorized persons are allowed to make changes to the Service Configuration and ensures that the newly reset password is stored very carefully, as it can not be reset from the default “NAUT” a second time.

WARNING: It is very important that the Service password not be lost. Keeping the password in a second location may be wise. Record your custom service and user passwords in the table provided in the appendix of your User Manual. Memorizing the password is best. If you lose this password, you cannot make any further configuration changes: Access to the AIS is blocked. Another master key is not available and the unit would have to be returned to the ACR Service cent. This service is not free of charge.

Once you have entered the system, please change the default password to your own passwords, for both levels of access. Use different passwords for the different security levels.

Your passwords must meet the following criteria:
Minimum of six (6) characters, maximum of eight (8) characters
Letters must be in UPPER CASE
Acceptable characters are the A-Z alphabet and 0- 9 digits
Password may contain both letters and numbers

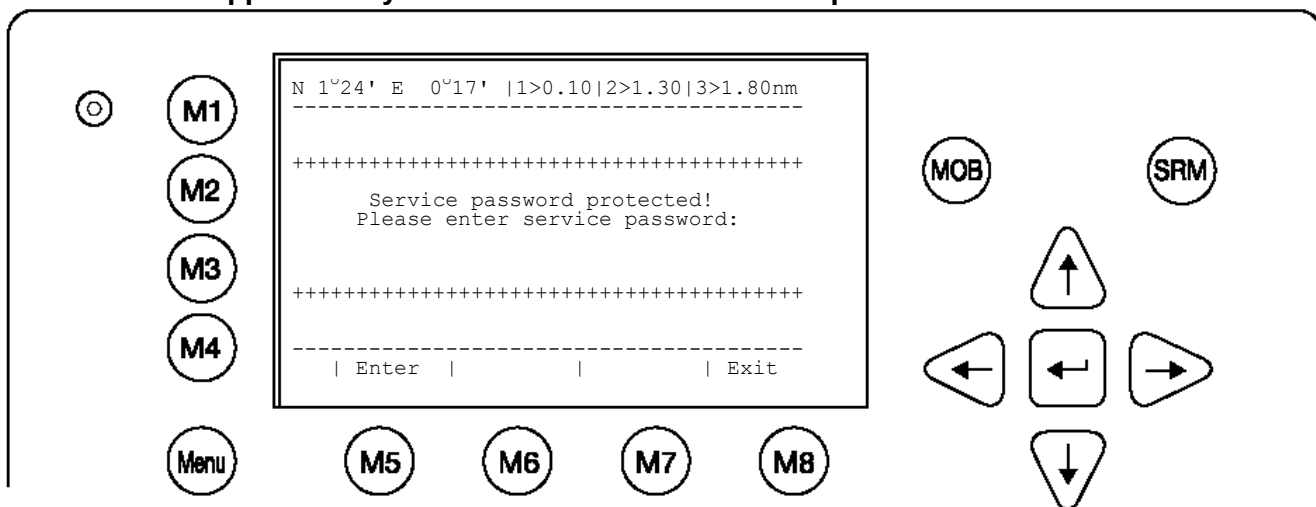
The User Password can be reset in the service configuration menu by entering the Service Configuration menu and creating a new password.

Changing the Service Password

Select “Service Configuration” from the Main Menu with the cursor button [Up] & [Down] or press Number 6 on the keyboard.

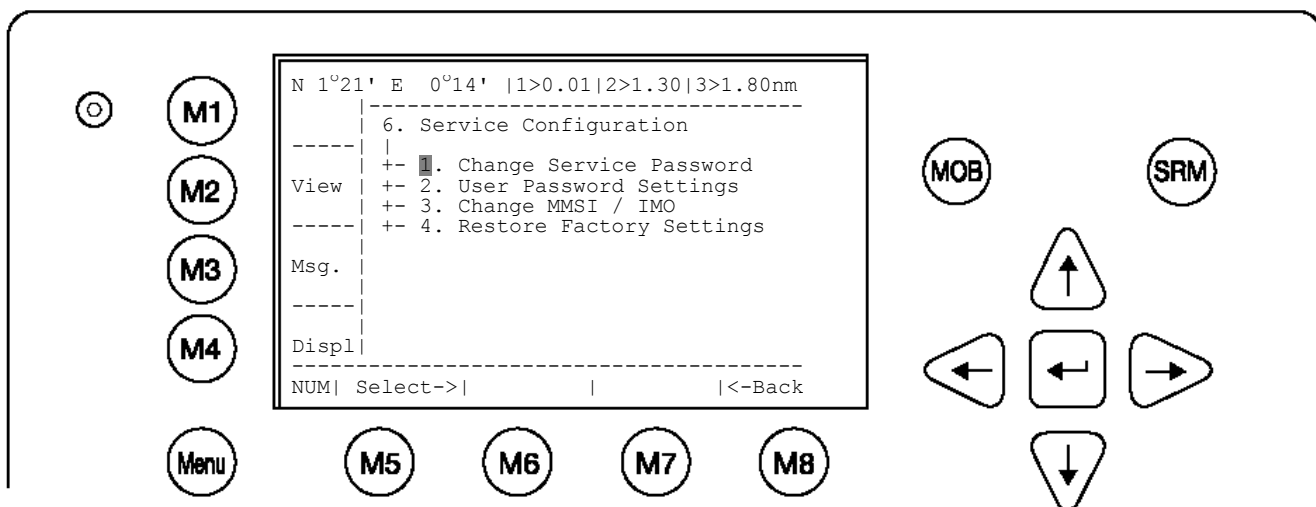
The password query field appears. Input default Service Password and press M5 [Enter]. The default password from the factory is mentioned on your AIS display at the protection foil.

Please see the appendix in your User Manual for additional password information.

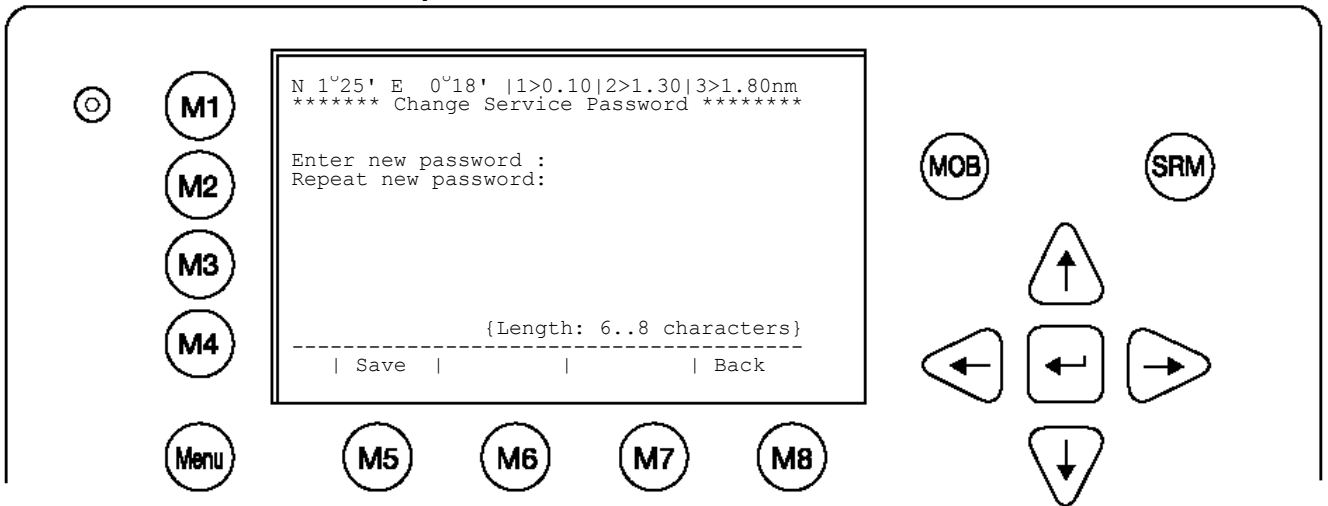


Select Submenu 1 “Change Service Password” with cursor button [Up] & [Down] by pressing Nr. 1 on the keyboard.

Service Menu Example:



Service Password Menu Example:

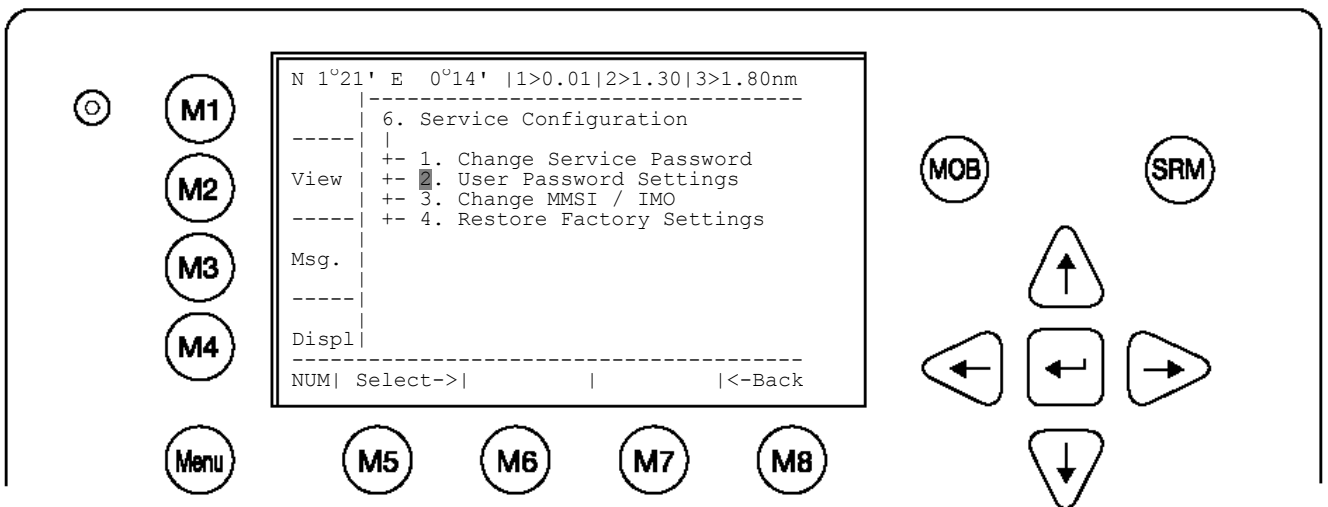


Enter the new Password: Then push Enter (M5).
Repeat the new Password: Then Push Enter (M5).

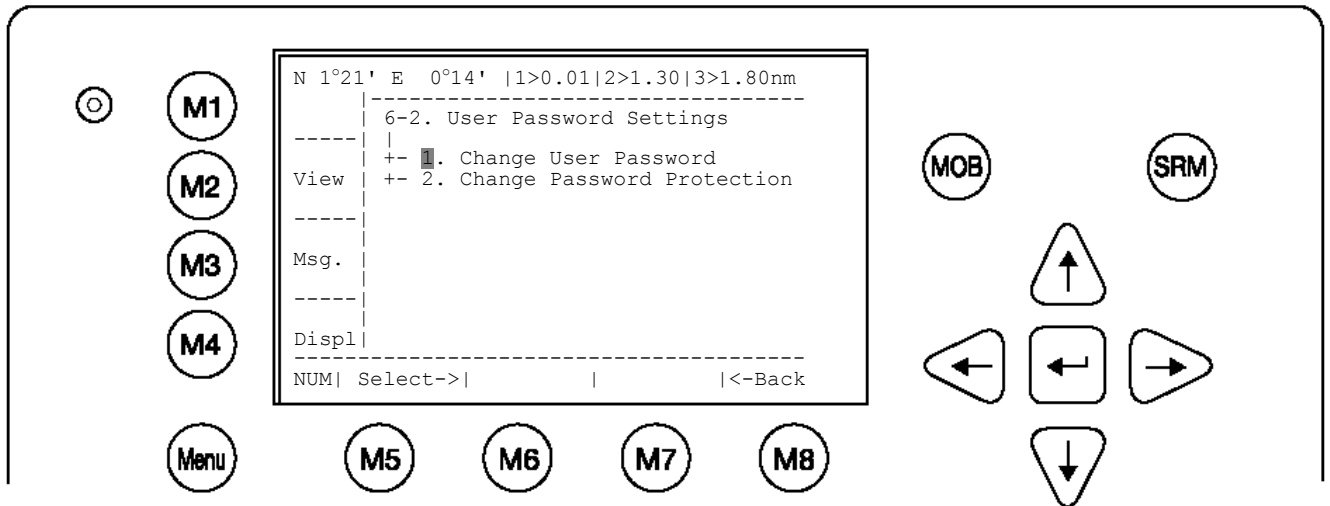
A minimum of 6, a maximum of 8 characters are allowed. Should the new password include numbers, use the shift key to generate them.
Press Save to store the change.

Changing the User Password

Select Submenu 2 “User Password Settings” with cursor button [Up] & [Down] by pressing Nr. 2 on the keyboard.

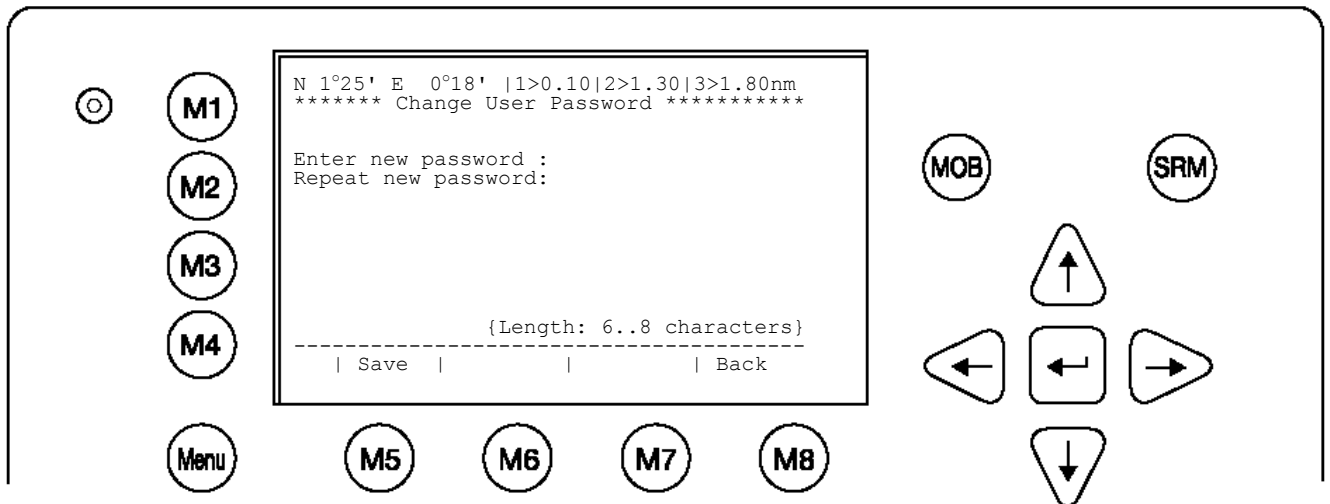


Select Submenu 1 “Change User Password” with cursor button [Up] & [Down] by pressing Nr. 1 on the keyboard.



Enter the new Password:
Repeat the new Password:

A minimum of 6, a maximum of 8 characters are allowed. Should the new password include numbers, use the shift key to generate them.



Press Save to store the changes.

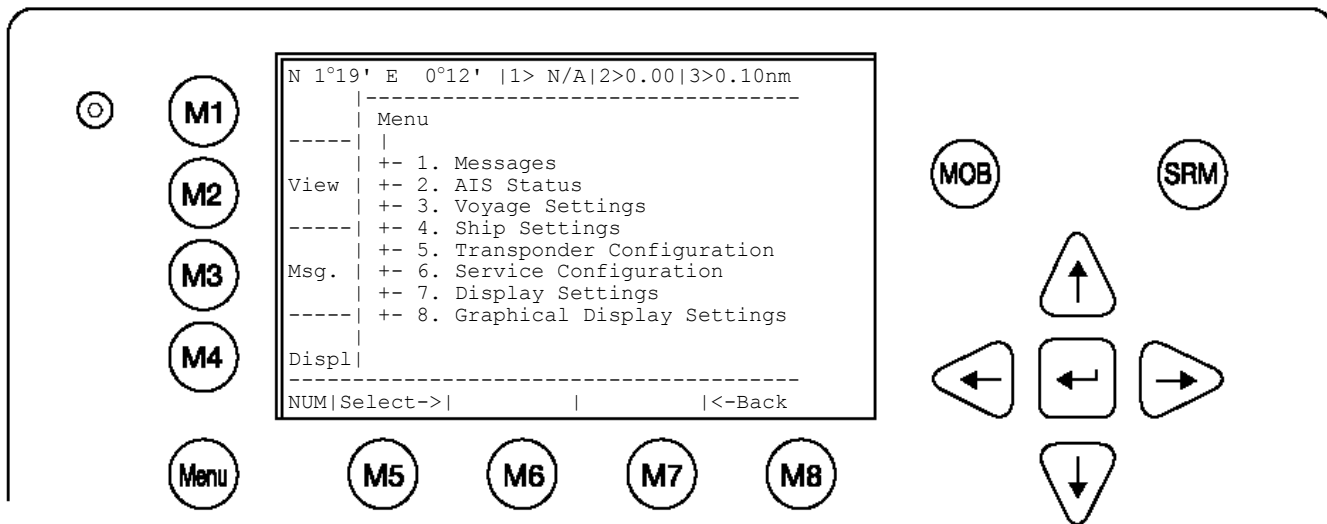
5 Troubleshooting

5.1 Reading and understanding Alarms:

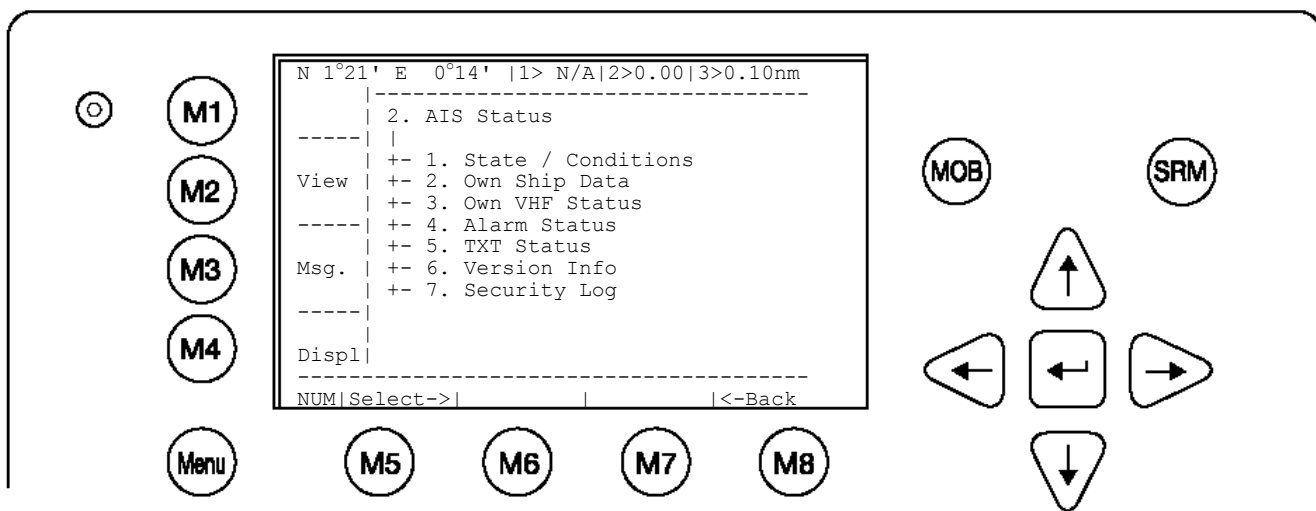
The NAUTICAST differentiates between Alarm and TXT messages. An Alarm informs the user about major system malfunctions and failings in the connected sensors. The Alarm Status informs the user about all active Alarms. The Alarm will be disabled and deleted from the Alarm Status, as soon as the displayed problem has been rectified.

The TXT status displays additional sensor information and the UTC clock status. See tables (Chapter 5.2 & 5.3) for Alarm and TXT Messages.

Select "AIS Status" with cursor button [Up] & [Down] or press Nr. 2 on the keyboard.



Select "Alarm Status" or "TXT Status" with cursor button [Up] & [Down] or press Nr. 4 or 5 on the keyboard.



5.2 Alarm Codes

ID	Description Text	Cause/Source	System Reaction / Remedy
01	AIS: Tx malfunction	VHF Antenna, cabling	Reaction: The transponder unit stops transmission. If Alarm ID 01 and ID 02 are simultaneously displayed, then a major antenna problem has arisen. Remedy: Check if the antenna is AIS compatible (156-162 MHz) and if the antenna cabling has a short circuit or is missing any contacts at the connectors. If the ID 01 is displayed as a stand alone message, then the unit requires replacing.
02	AIS: Antenna VSWR exceeds limit (VSWR - Voltage Standing Wave Ratio)	VHF antenna, installation	Reaction: The transponder unit continues transmission. Remedy: Check the antenna and the antenna cabling (RG214 / 50 Ohm cable required).
03	AIS: Rx channel 1 malfunction	Internal error	Reaction: The transponder unit stops transmission on the affected channel, Remedy; If this alarm reoccurs regularly, then the transponder unit requires replacing.
04	AIS; Rx channel 2 malfunction		
05	AIS: Rx channel 70 malfunction		
06	AIS: General failure	Internal error	Reaction: The transponder unit stops transmission. Remedy; The transponder unit requires replacing.
25	AIS; External EPFS lost (EPFS = electronic Position Fixing System such as GPS)	No valid data on Ch1, Ch2 or Ch3 is available	Reaction: The transponder unit continues operation using the position data of the internal GPS. If there is no valid position data available from the internal GPS, error 026 is additionally displayed. Remedy: Id 25 indicates that the sentences GLL, GNS, GGA, RMC cannot be received. Check the sensor and the cabling; check if the system that delivers the data is working. Check the baud rate settings of the sensor inputs. AIS requires the protocol NMEA 0183 V3.0!
26	AIS: No sensor position in use	No valid position from internal GPS or external position sensor	Reaction: The transponder unit continues operation. Remedy: Check the sensor cabling and the antenna of the internal GPS sensor.
29	AIS: No valid SOG information	No valid data from external speed sensor or internal GPS	Reaction: The transponder unit continues operation and displays SOG: N/A Remedy; The sentences VBW, VTG, RMC cannot be received. Check the sensor and the cabling; check if the system that delivers the data is working. Check the baud rate settings of the sensor inputs. AIS requires the protocol NMEA 0183 V3.0!
30	AIS: No valid COG Information	No valid data from external sensor or internal GPS	Reaction: The transponder unit continues operation and displays COG: N/A Remedy: The sentences VBW, VTG, RMC cannot be received. Check the sensor and the cabling, check if the system that delivers the data is working. Check the baud rate settings of the sensor inputs. AIS requires the protocol NMEA 0183 V3.0!
32	AIS: Heading lost/invalid	No valid data from external sensor (Gyrocompass)	Reaction: The transponder unit continues operation Remedy: The sentence for HDT cannot be received. Check the sensor and the cabling, check if the system that delivers the data is working. Check the baud rate settings of the sensor inputs. Mention AIS accepts true heading only (no magnetic).
35	AIS: No valid ROT Information	No ROT indicator is used. No valid data from external sensor	Reaction: The transponder unit continues operation Remedy: The sentence for ROT cannot be received. If a Rate Of Turn indicator is not in use, then it suffices to just acknowledge the alarm. The Alarm Status will store the information that no ROT sensor is available. Otherwise, check the sensor and the cabling. Check if the system that delivers the data is working. Check the baud rate settings of the sensor inputs. AIS requires the protocol NMEA 0183 V3.0!

53	AIS: BATTERY SOON LOW	Battery is soon out of capacity	Reaction: Own ship data is lost after powering on/off the system. Remedy: consider to contact Technical Support for additional help
55	AIS: PRESS ENTER TO EXIT 1W/AUTO TX MODE	Conditions for enabling 1 Watt TX power are not valid	Reaction: Conditions for enabling 1 Watt TX power are not valid. This means that: <ul style="list-style-type: none"> the speed is >3kn and / or the navigational status is NOT moored / at anchor and / or the ship type is NOT "Tanker" Remedy: <ul style="list-style-type: none"> Check the conditions (SOG, Navstat, Shiptype) if GPS is valid (a invalid GPS causes also this alarm)
56	AIS: ENTER MMSI NUMBER	No valid MMSI entered.	Reaction: During the initial boot or after "factory settings" the user is asked to enter a valid MMSI. As long as this is not done, the system does not transmit. Remedy: Enter a valid MMSI

5.3 Text Messages

ID	Description Text	Cause/Source	Reaction of the System / Remedy
07	AIS: UTC clock lost	Internal GPS	Reaction: the transponder unit continues operation using indirect or semaphore synchronization Remedy: Check GPS Antenna for AIS.
21	AIS: external DGNSS in use	Information	Reaction: Positioning is fully operational Remedy: no action required
22	AIS: external GNSS in use	Information	Reaction: The transponder unit continues operation using the position data from a GNSS receiver Remedy: no action required
23	AIS: internal DGNSS in use (beacon) 023	Information	Reaction: The transponder unit uses position data from the internal source. The internal GNSS receiver is capable of processing DGNSS corrections. Remedy: no action required
24	AIS: internal DGNSS in use (message 17)		
25	AIS: internal GNSS in use	Information additional to Alarm ID 25	Reaction: The transponder unit continues operation using the position data from the internal GPS. Remedy Check the sensor and the cabling; Check if the system that delivers the data is working; Check the baud rate settings of the sensor input
27	AIS: external SOG/COG in use	Information	Reaction: COG/SOG is in full operation Remedy: no action required
28	AIS: internal SOG/COG in use	Information additional to Alarm ID 29 or ID 30	Reaction: The transponder unit continues operation using the data from the internal GPS. Remedy Check the sensor and the cabling; Check if the system that delivers the data is working; Check the baud rate settings of the sensor inputs
31	AIS: Heading valid	Information	Reaction: Heading is in full operation Remedy: no action required
33	AIS: Rate of Turn Indicator in use	Information	Reaction: A Rate Of Turn indicator is connected and in full operation Remedy: no action required
34	AIS: Other ROT source in use	Information	Reaction: The transponder unit is operating with ROT data rather than with TIROT data - therefore the AIS only differs between + 127 (turning right at 720 degrees per minute or higher) and - 127 (turning left at 720 degrees per minute or higher)

6 Accessories

The following material is included with the NAUTICAST.

NAUTICAST Basic Kit	1 NAUTICAST Transponder 1 installation manual, 1 user Manual 3 caps of plug 1 cable clamp (M5 thread) 1 guide plate Kit 3 angles + 3 mounting screws (screw bolt + square nut)
includes	

The NAUTICAST is supplied with some of the components listed below (contents depend on customer requirements).

Category	Description	Order Number
Mountings:	Gimbal Style Mounting Kit + 2 wing bolts + 4 screws	2650
	Mounting kit retro fit-frame + 3 screws, 3 clips, 3 nuts	2651
GPS antenna solutions:	GPS Antenna AIS-A W/5M Coax	2637 (28dB Gain) or 2639 (20 dB Gain)
	GPS Stantion Mount Plastic 1 x 14 thread (for P/N 2625 or P/N 2639)	2627
	GPS Stantion Mount Metal 1 x 14 thread (for P/N 2625 or P/N 2639)	2626
	GPS Deck Mount Metal 1 x 14 thread (for P/N 2625 or P/N 2639)	2821
	Procom GPS antenna GPS 4	2622
	Deck Mounting Kit Metal Horiz. Surface -ProCom (for P/N 2622 and 2623) (Thread 1/12)	2623
VHF antenna solutions:	VH-3200 VHF Stainless Steel Whip Antenna 91.4cm (36 in.) Includes Mounting Kit & Plug PL Male for RG214	2628
	Comrod VHF antenna AV 7 + mounting kit	2621
Single antenna solutions:	Comrod AC 17 - AIS (combined GPS/VHF antenna) + mounting kit + splitter and cable	2624
Cables and Interfaces	GPS / VHF extender with N and TNC connection + 1 pcs N(m)/RG214 crimp + 2 pcs TNC(m)/RG214 crimp + 1 pcs PL(m)/RG214 crimp	2612
	AIS connection box	2640
	AIS cable open (3m) with all interfaces + pilot plug	2610
	Connector N(m)/RG214 crimp	2631
	Connector PL(m)/RG214 crimp	2632
	Connector TNC(m)/RG214 crimp	2633
	Gyro Converter 9028C	2641

7 Technical Information

PHYSICAL		SPECIFIED STANDARDS	
Size in mm / inch (w)	201,26mm / 7,92inch	IMO MSC.74(69) Annex 3	
Size in mm / inch (h)	60mm / 2,36inch	ITU-R M.1371 (Class A)	
Size in mm / inch (d)	281,26mm / 11,07inch	IALA Techn.Clar. of ITU-R M.1371-1 (Ed.1.3)	
Weight	2490g / 5,50pound	IEC 61993-2 (2002)	
Operating Temperature	-15°C to +55°C / 5°F to 131°F	IEC 61162-1 (2000)	NMEA 0183-3
		IEC 61162-2 (1998)	NMEA 0183-3
		IEC 61162-3	NMEA 2000
		ITU-R M.823-2	
		IEC 61108-1 (1996)	
		IEC 60 945 (1996)	
		ITU-R M.825-3	
		ITU-R M.1084-3	
POWER SUPPLY		VHF	
Supply Voltage (galvanic isolated)	24 V DC (-10% +30%)	Frequency Range	156 MHz - 162MHz
Input Current	min.7 A (24V)	Channel Spacing	12.5 or 25kHz
		Number of RF Channels	3 Receiv. / 1 Transm.
		Number of AIS Receivers	2
		Number of DSC Receivers	1
		Frequency Error	+/- 2.5ppm
INTERFACES		VHF TRANSMITTER	
Number of Data Ports	3 Input / 4 I-O / 1 Output	Output Power	2 Watt to 12.5 Watt (adjustable)
IEC 61162-1/2	(RS422 / NMEA 0183)	Receive to Transmit Switching Time	< 1ms
ITU-R M.823-2	(RS422 / RTCM SC104)	Transmit release time	< 1ms
Bitrate		Automatic shutdown	1 sec.
CH1 Sensor Input; (i.E.: GPS)	4800 bps or 38400 bps	Channel switching time	< 25ms
CH2 Sensor Input; (i.E.: GYRO)	4800 bps or 38400 bps	Attack Time	< 1ms
CH3 Sensor Input; (i.E.: HDG)	4800 bps or 38400 bps		
CH4 ECDIS Port (In- / Output) AIS targets, AIS messages	in/ out 38400 bps	VHF RECEIVER	
CH5 Pilot Port (In- / Output) AIS targets, AIS messages	in/out 38400 bps	Max. Useable Sensitivity	< -110dBm
CH8 Long Range Port (In- / Output)	in/out 38400 bps	Co-channel Rejection	> -8dB (25kHz); > -12dBm (12.5kHz)
CH9 DGPS correction (In- / Output) (RTCM SC104)	in/out 9600 bps	Adjacent Channel Selectivity	> 70dB (25kHz); > 60dB (12.5kHz)
Alarm Circuit CH10	Dry relay contact (see BIIT – Alarm System)	Inter-modulation Rejection	> 65dB
		Spurious Response Rejection	> 70dB
		Blocking	> 84dB
BUILT IN GPS		VHF MODEM	
Receiver Architecture	12 channel differential	Bitrate GMSK	9600 bps
Tracking Capability	12 satellites sim.	RF Baud Rate (DSC)	1200bps
Accuracy Horizontal	10m / 2drms *	Modulation	GMSK / FSK
Accuracy Vertical	15m / 2drms *		
GPS Antenna Connector	TNC	SOFTWARE	
DGPS Accuracy	< 5m / 2drms	NAUTICAST Version 2.0.x	
*) depends on SA		- installed and ready for use	
		- implemented configuration Software	
		- User friendly Interface to System and AIS Information	
		- additional Interface to System Configuration (Windows 2000®)	
		- NAUTICAST Demonstrator for training purposes (Windows 2000 Windows XP®)	
GPS Solutions		HARDWARE	
Beacon interoperability		NAUTICAST Version 1.0.x	
EGNOS interoperability			
WAAS interoperability		DISPLAY	
OMNISTAR interoperability		Integrated	graphical 240 x 128 adjustable brightness and contrast
LongWave interoperability			
VHF interop. (DGPS over Msg.17)			
optional internal Beacon Receiver			
Combined GPS/DGPS Antenna			
BIIT – Alarm System			
Relay breaking capacity			
30V DC	8A		
250V AC	8A		
OPTIONAL INTERFACES			
Number of Data Ports RS232	up to 5		
Bitrate Simplex / Duplex	Up to 115000 bps Duplex		
Number of Data Ports IEC 61162-3 CAN (RS485)	1		
Bitrate	up to 1 Mbps		
KEYBOARD			
Integrated	alphanumeric		

8 Contact and Support Information

Contact your local dealer for NAUTICAST support.
Please see our ACR Website for Service Listing.

ACR Electronics Europe GmbH
Handelskai 388 / Top 632
A-1020 Vienna, Austria
Tel: +43 (1) 5 237 237 - 0
Fax: +43 (1) 5 237 237 - 150
Email: Technical.Support@acr-europe.com
Web: www.acr-europe.com

ACR Electronics
Customer Service
5757 Ravenswood Road
Fort Lauderdale, FL 33312, U.S.A.
Tel.: +1 (954) 981-3333
Fax: +1 (954) 983-5087
Email: info@acrelectronics.com
Web: www.acrelectronics.com

9 Appendix

9.1 Samples for battery calculation

9.1.1 Typical Installation

GMDSS Battery size calculation for 1 hour (Battery size calculation based on the IMO regulations Chapter IV - Reg.13)

Ship Name QMIII
 Battery capacity 230Ah
 Battery Type 2x (12V / 135)
 Area A1, A2, A3
 Battery located in battery chest on observation deck

Pos	Qty.	Equipment	I _{max} (A)	I _{standby} (A)	Total (A) (I _{max} /2 + I _{standby})*Qty.)
1	1	Skanti TRP 8751D Radiotelephone	45,00	3,00	25,50
2	1	Debeg 3818 DSC Controller		0,21	0,21
3	2	T&T 3020 Inmarsat-C Transceiver	3,20	0,40	4,00
4	2	Inmarsat-C Monitor		0,85	1,70
5	2	Inmarsat-C Printer	1,00	0,20	1,40
6	1	CI 8501 Navtex Receiver		0,50	0,50
7	2	Skanti USE 300 VHF Radiotel.	2,80	0,05	2,90
8	2	Debeg 3817 VHF DSC Controller		0,21	0,42
9	1	Sailor RT2047 VHF Radio Tel.	6,50	1,00	4,25
10	1	Simrad GN 33 GPS		0,63	0,63
11	1	Koden KGP 900 GPS	4,00	0,63	2,63
12	1	Koden LR 771 Loran C		0,42	
13	1	Emergency light		2,00	2,00
14	1	AIS Nauticast	7,00	0,75	0,84
				Total	46,98

$K1_{\text{partly discharged battery}} = \text{Total consumption} \times 1,25 = 58,73 \text{ Ah}$

$K1_{-30^\circ} = K1 \times 1 / 0,30 = 106,78 \text{ Ah}$

$K5 = K1_{-30^\circ} / 0,65 = 164,28 \text{ Ah}$

Selected Battery (K5) = 230,00 Ah

$K1_{\text{partly discharged battery}} =$

correction factor taking care that the battery might not be fully charged
 (we assume that in worst case the battery is only at 80% fully charged)

$K1_{-30^\circ} =$

correction factor taking care that the battery may be used
 at ambient temperature of - 30 degrees
 (at -30 degrees the battery has only 30% of nominal capacity)

$K5 =$ correction factor taking care of that the battery

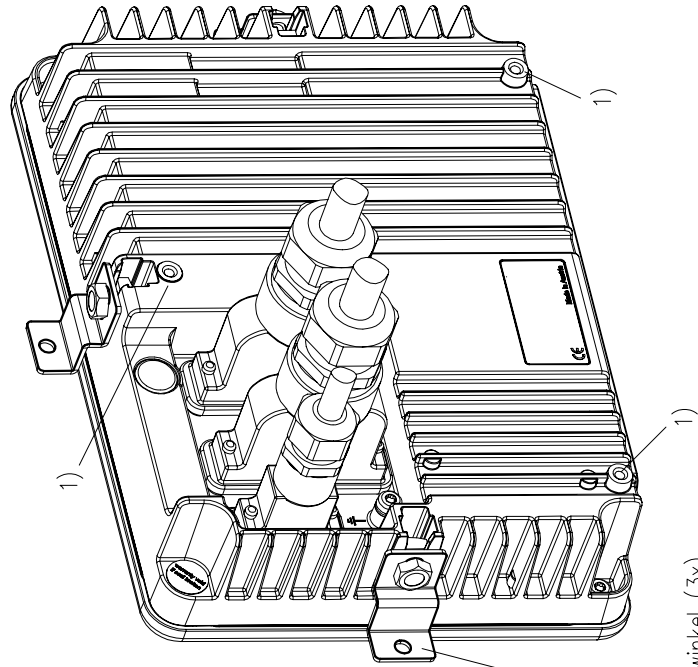
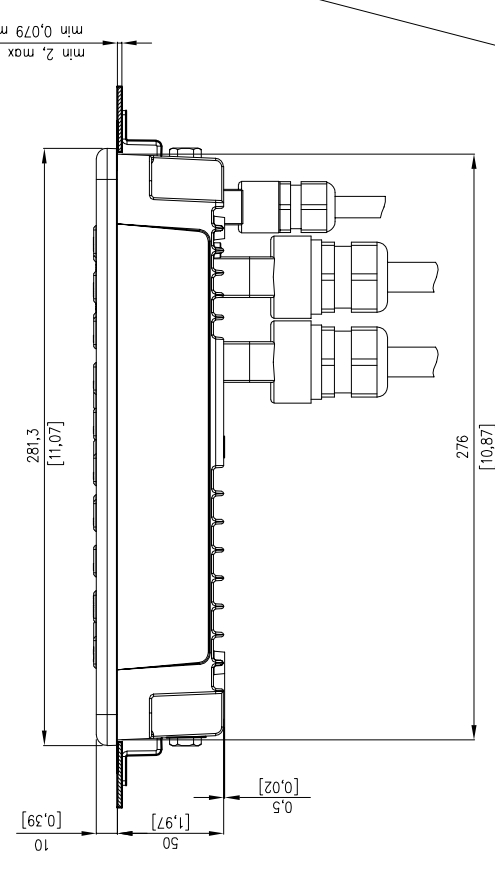
is defined by manufacturer for 5 hours discharge time

Calculation for AIS =

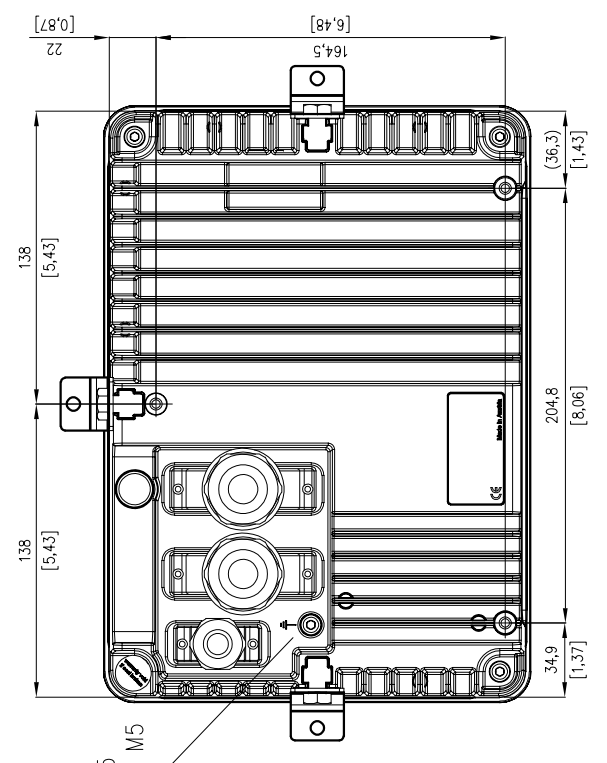
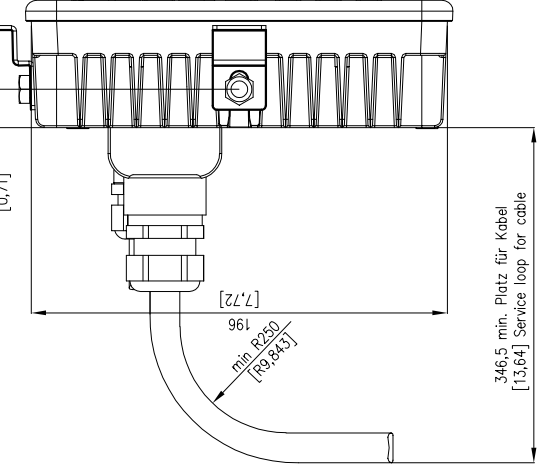
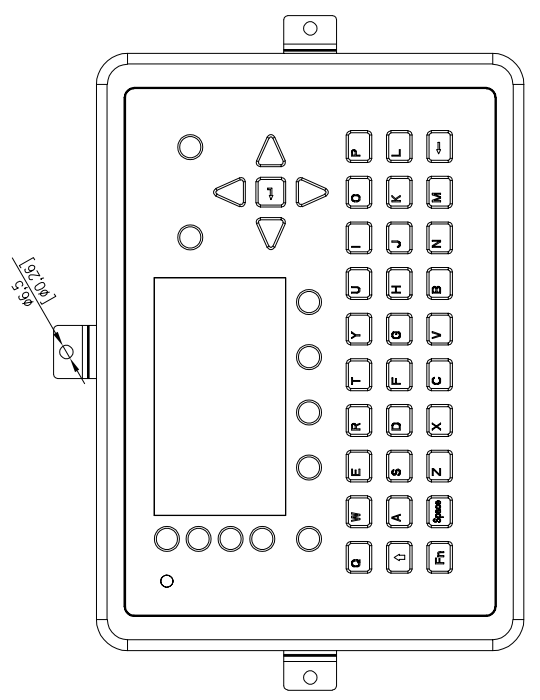
transmit pulse length 26,6ms with a maximum repetition rate of 2 seconds results in a maximum of 30 pulses/minute → 1800 pulses/hour x 26,6 ms → 47880 ms → 47,88 seconds transmit time during one hour 47,88 seconds → 0,8 minutes → 0,0133 hours transmitting time during one hour operation
 → Up-Rounded to 0,02 hrs transmitting time

Above mentioned calculation assumes that all equipment is in operation which is normally not valid, that means that the actual consumption is lower.

Pultmontage
console mounting



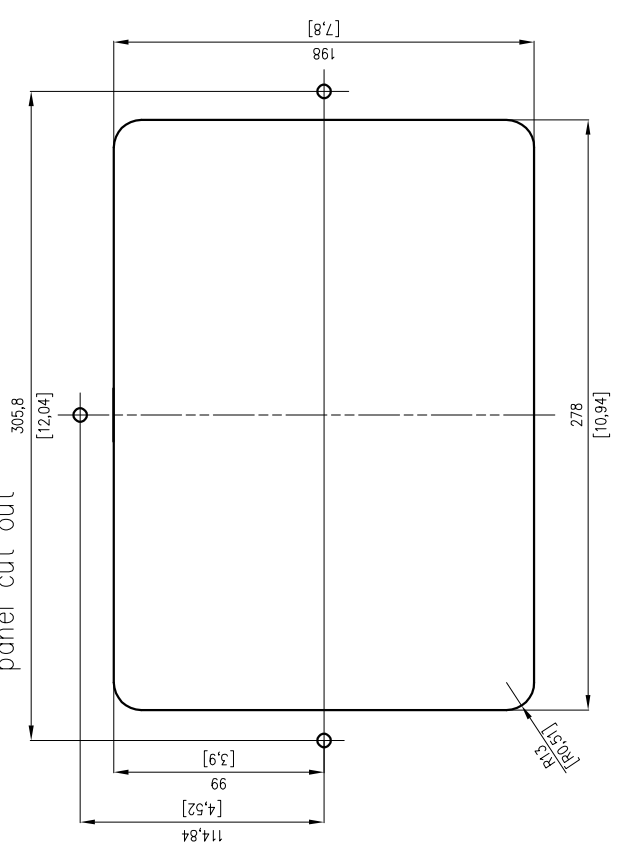
Montagewinkel (3x)
mounting brackets (3x)



Technische Daten / Specification :

Spannungsversorgung / power supply: 24V DC
 Strom / current: 5A
 Betriebstemperaturbereich / operation temperature: -15°C to +55°C
 Schutzart / type of enclosure: IP65 n. EN60529
 magnetischer Schutzabstand / magnetic safety distance: 0,3m
 Gewicht / weight: 2400g (ohne Kabel / without cable)
 Farbe / color: RAL7021 (dark grey)

Pultausschnitt
panel cut out

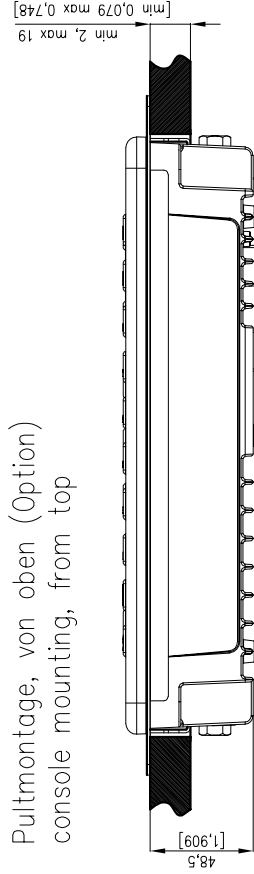


- 1) Befestigungspunkte 3x, Gewindefackloch M5 5tief
fixing points 3x, blind hole thread M5 depth 5

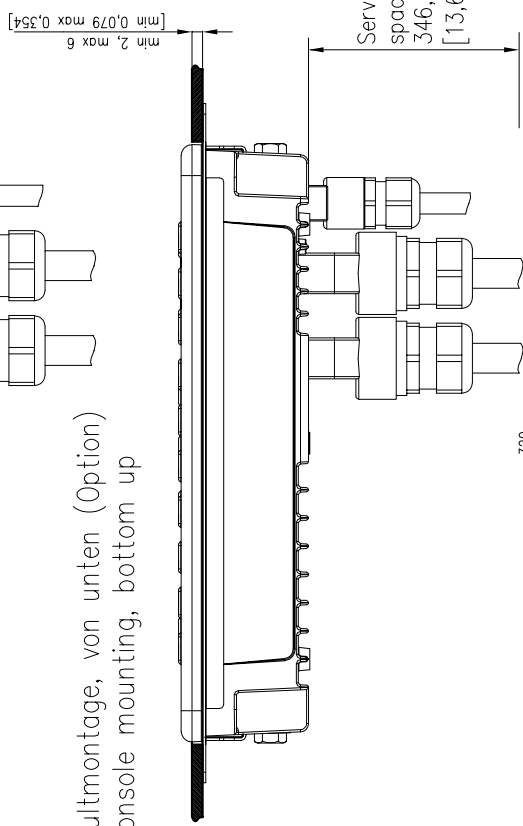
DISTANCE FROM MAGNETIC COMPASS STANDARD TYPE: 0,3m		STEERING TYPE: 0,3m		SCALE		WEIGHT: 2,4 Kg	
mm		[INCH]		CAD			
DATE		DATE		DRAWING TITLE			
DR 29.04.2003		DP		DIMENSIONAL DRAWING		FOR Nauticast AIS	
ACCEPTED AL 20.05.2003							
ACR Electronics							
5757 Ravenswood Road							
Fort Lauderdale, FL 33312							
20.05.03							
DATE		REVISIONS					
1							
LTR							

Id-Nr.: 2600662

Pultmontage, von oben (Option)
console mounting, from top

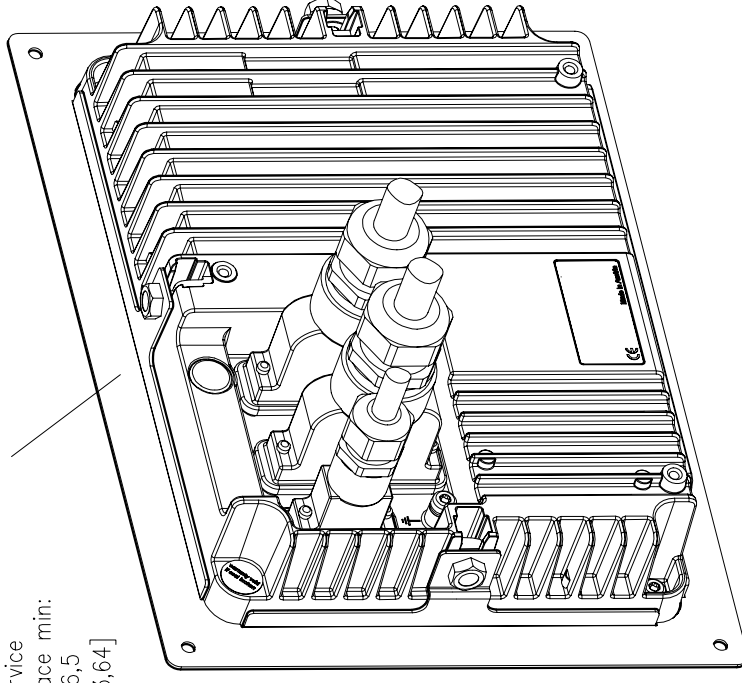


Pultmontage, von unten (Option)
console mounting, bottom up

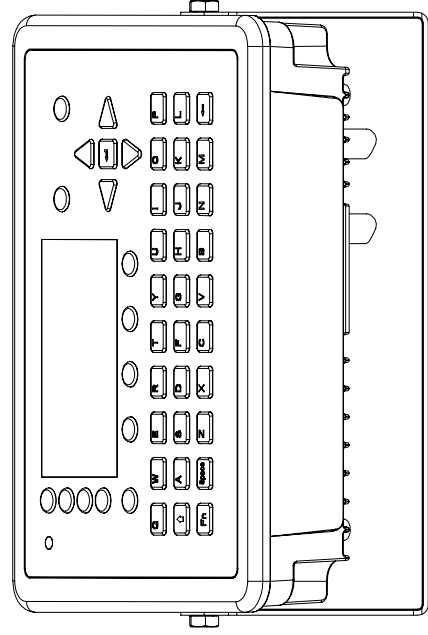


Retrofit frame

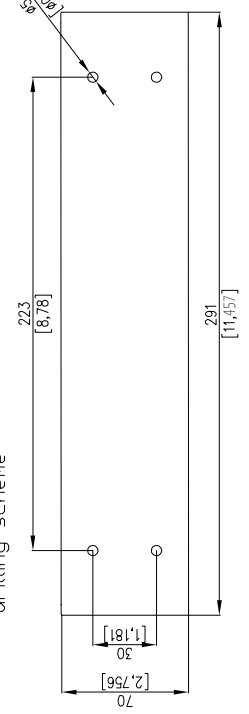
ID-No.: 2600657



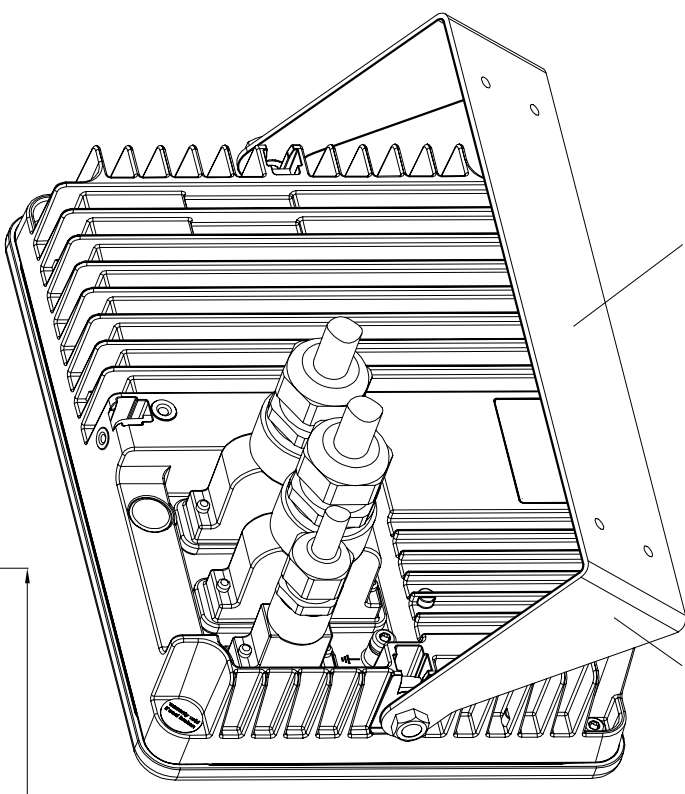
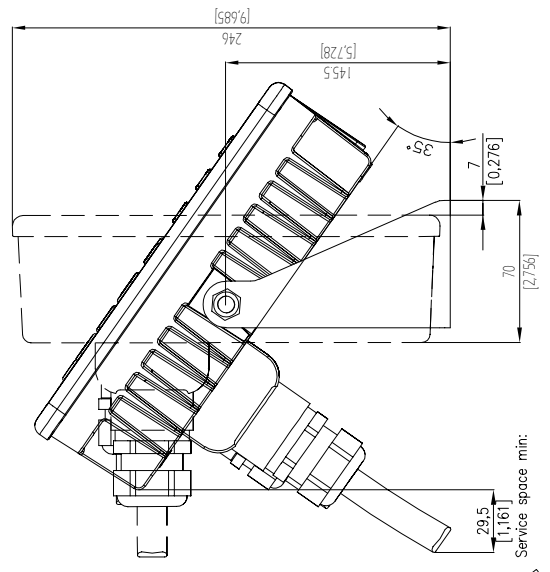
Tisch oder Wandmontage
desk or bulkhead mounting



Bohrbild
drilling scheme

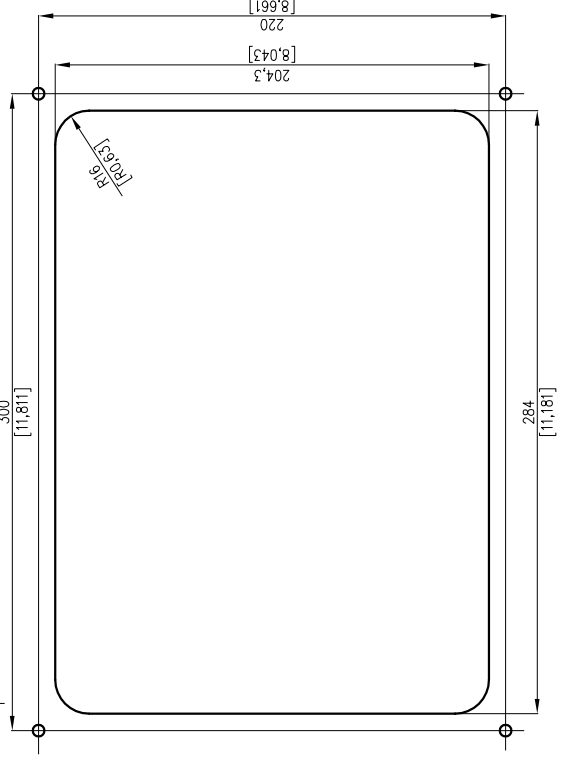


Multi purpose
mounting bracket



Montagebügel
mounting bow

Montageausschnitt
panel cut out



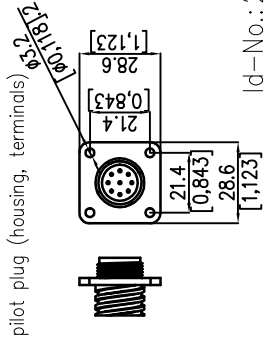
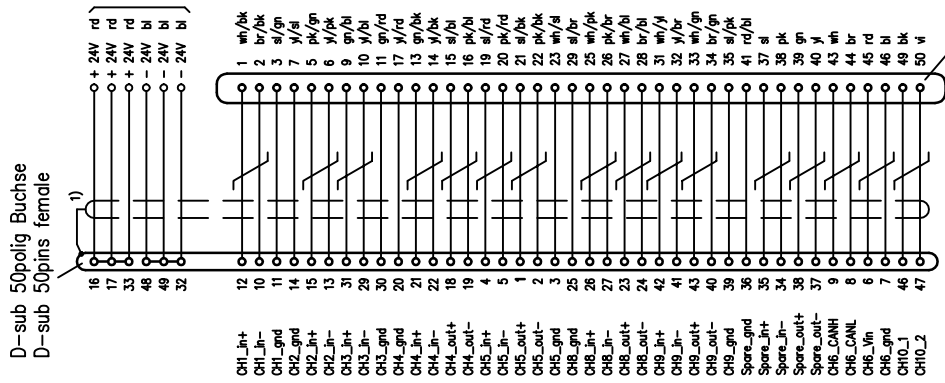
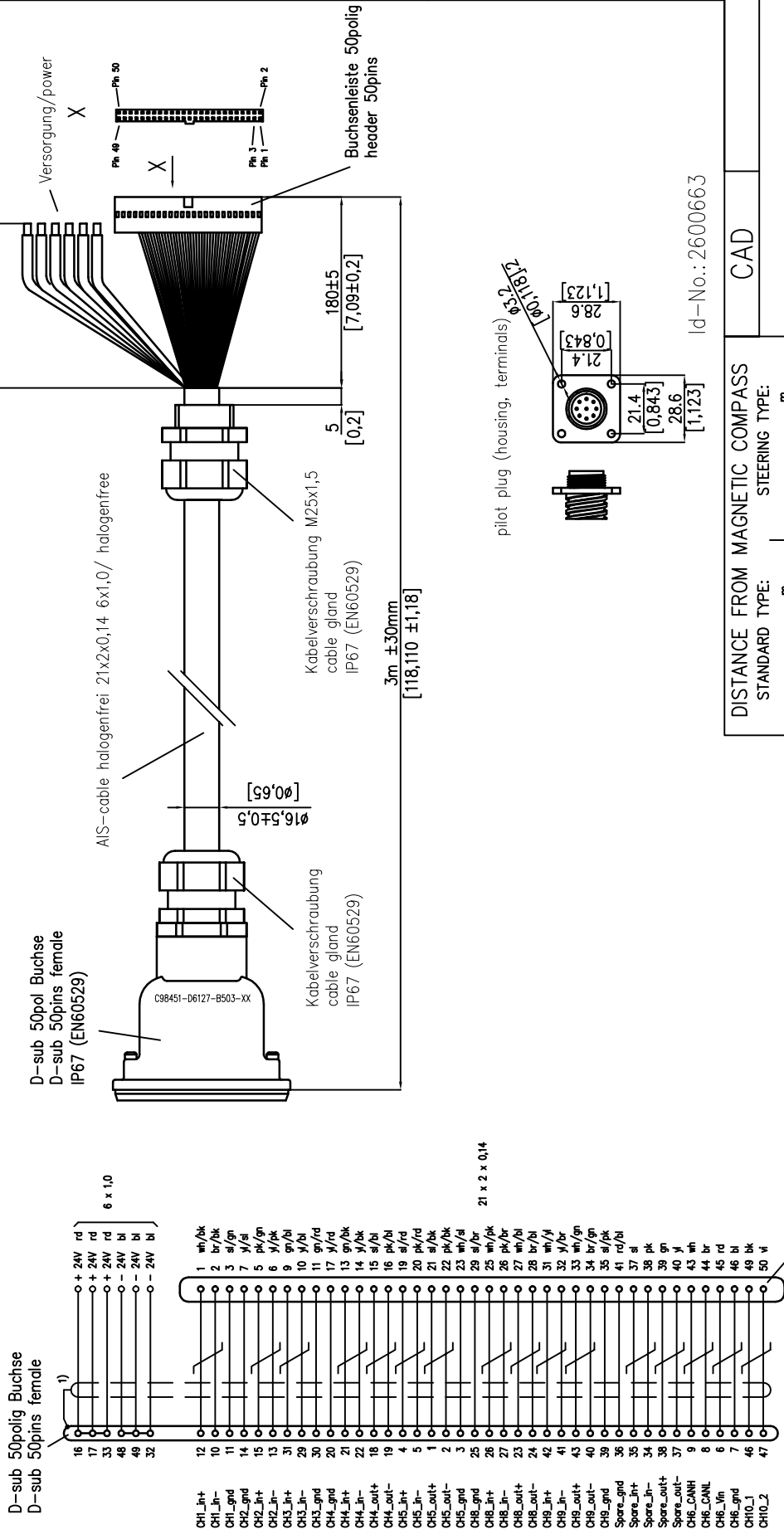
DISTANCE FROM MAGNETIC COMPASS
STANDARD TYPE:
0,3m

STEERING TYPE:
0,3m

CAD

SCALE		-		WEIGHT: 2,6 Kg	
DRAWING TITLE					
DIMENSIONAL DRAWING FOR Nauticast AIS optional mounting kits					
DATE		29.04.2003		DP	
ACCEPTED		AL 20.05.2003			
LTR		REVISIONS		DATE	
1				20.05.03	
ACR Electronics		5757 Ravenswood Road Fort Lauderdale, FL 33312			

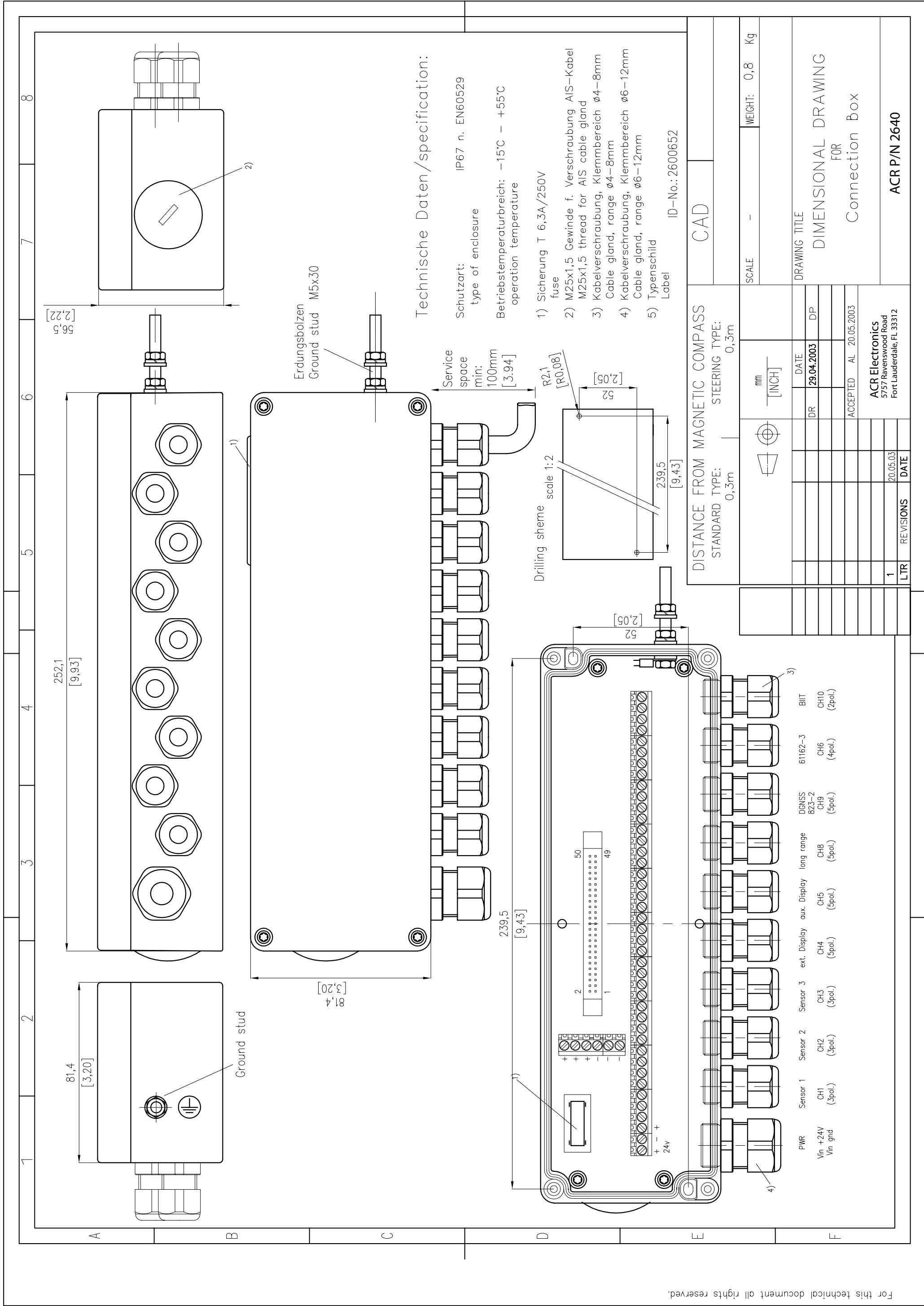
Stromlaufplan
circuit diagram



Id-No.: 2600663

DISTANCE FROM MAGNETIC COMPASS STANDARD TYPE: ...m		STEERING TYPE: ...m	
SCALE: -		WEIGHT: 1,4 kg	
DRAWING TITLE DIMENSIONAL DRAWING FOR AIS cable connection box 3m / [118,110]			
DR	DATE	ACCEPTED	AL
	29.04.2003		29.04.2003
ACR Electronics 5757 Ravenswood Road Fort Lauderdale, FL 33312			
LTR	REVISIONS	DATE	
1		20.05.03	

ACR P/N 2610



Technische Daten/specification:

- Schutzart: IP67 n. EN60529
 type of enclosure
- Betriebstemperaturbereich: -15°C - +55°C
 operation temperature
- 1) Sicherung T 6,3A/250V
 fuse
- 2) M25x1,5 Gewinde f. Verschraubung AIS-Kabel
 M25x1,5 thread for AIS cable gland
- 3) Kabelverschraubung, Klemmbereich ø4-8mm
 Cable gland, range ø4-8mm
- 4) Kabelverschraubung, Klemmbereich ø6-12mm
 Cable gland, range ø6-12mm
- 5) Typenschild
 Label
- ID-No.: 2600652

DISTANCE FROM MAGNETIC COMPASS		CAD	
STANDARD TYPE: 0,3m		SCALE: -	
STEERING TYPE: 0,3m		WEIGHT: 0,8 Kg	
DATE	DR	DATE	DP
29.04.2003		29.04.2003	
ACCEPTED	AL	20.05.2003	
ACR Electronics 5757 Ravenswood Road Fort Lauderdale, FL 33312		ACR P/N 2640	
LTR	REVISIONS	DATE	
1		20.05.03	

PWR	Sensor 1	Sensor 2	Sensor 3	ext. Display	aux. Display	long range	DGNSS	61162-3	BIT
Vin +24V	CH1	CH2	CH3	CH4	CH5	CH8	823-2	CH6	CH10
Vin gnd	(3pol.)	(3pol.)	(3pol.)	(5pol.)	(5pol.)	(5pol.)	CH9	(4pol.)	(2pol.)
							CH9		
							(5pol.)		

1

2

3

4

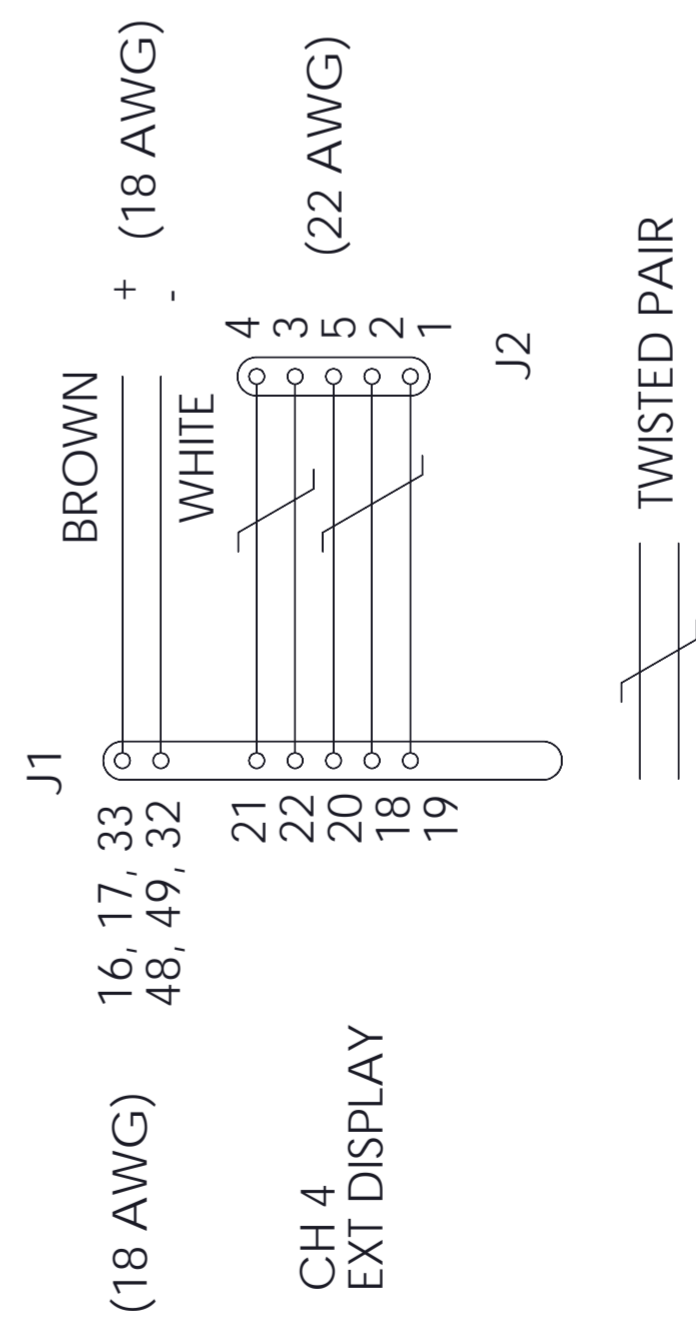
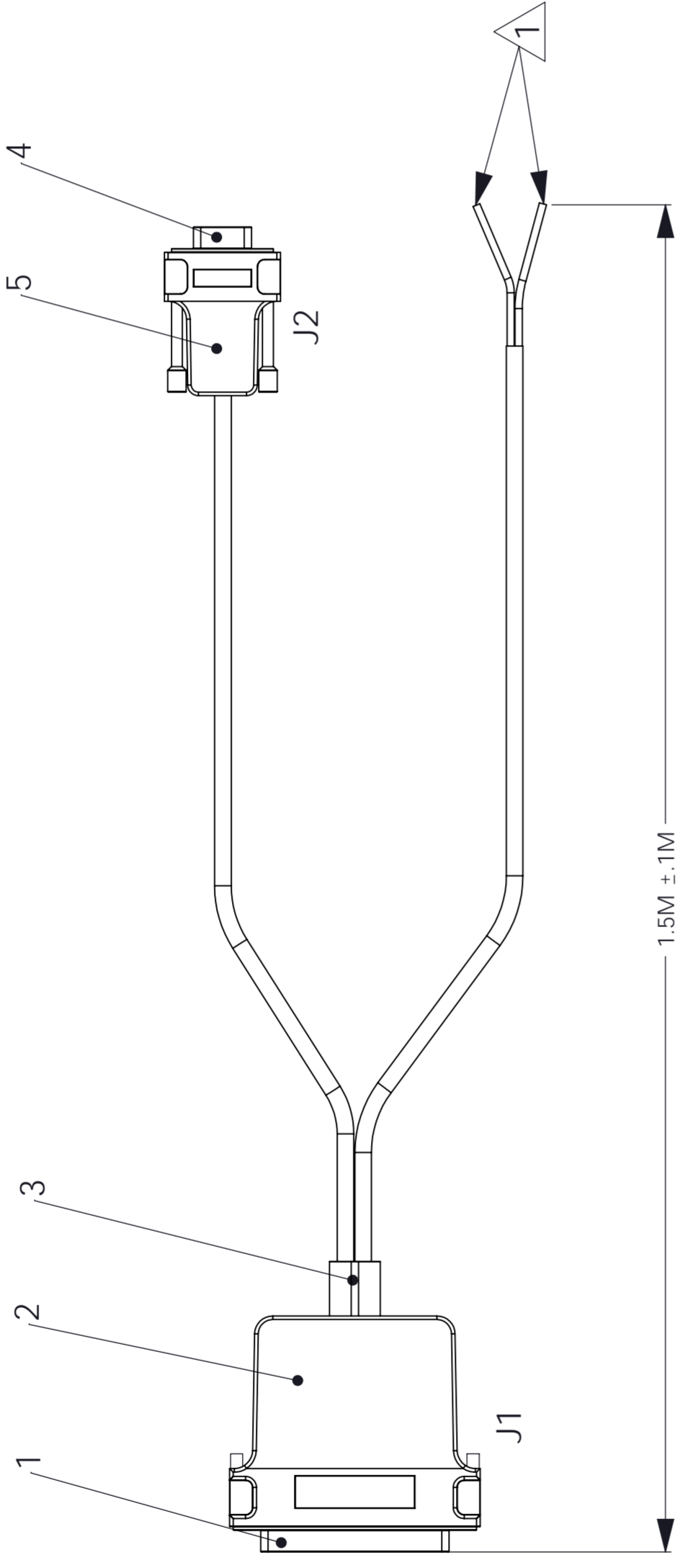
D

C

B

A

THIS DOCUMENT AND THE DATA DISCLOSED HEREIN OR HEREWITH IS PROPERTY OF AND BELONGS TO ACR ELECTRONICS, INC. FT. LAUDERDALE, FL. IT IS FURNISHED IN CONFIDENCE SOLELY FOR INFORMATIONAL PURPOSES. IT IS NOT TO BE REPRODUCED, USED OR DISCLOSED IN WHOLE OR IN PART TO ANYONE WITHOUT THE PERMISSION OF ACR.



1. D SUB 50 PIN FEMALE
2. D SUB PROTECTIVE JACKET
3. HEATSHRINK FOR STRESS RELIEF
4. D SUB 9 PIN FEMALE
5. D SUB 9 PIN PROTECTIVE JACKET
6. ENDS STRIPED AND TINNED 1/2" FROM END.

ACR ELECTRONICS, INC
 5757 RAVENSWOOD RD. FT. LAUDERDALE, FL. 33312
 WORKBOAT PWR/DATA
 CABLE
 DRAWING NO. 2614
 SCALE 1:2

1

2

3

4

D

C

B

A

1 2 3 4 5 6 7 8

A

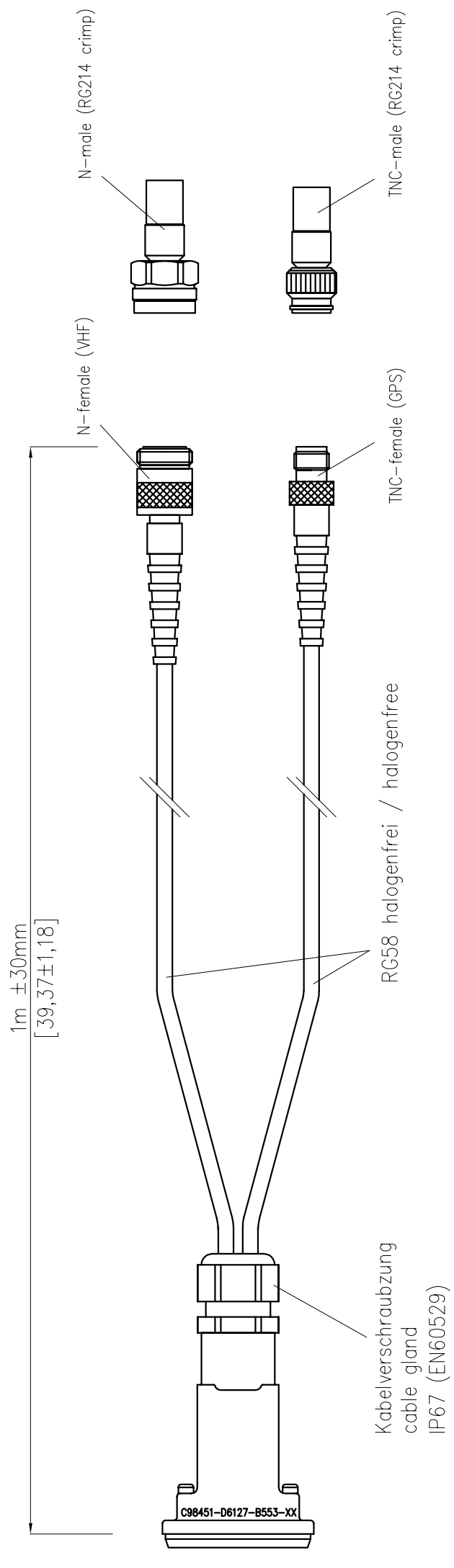
B

C

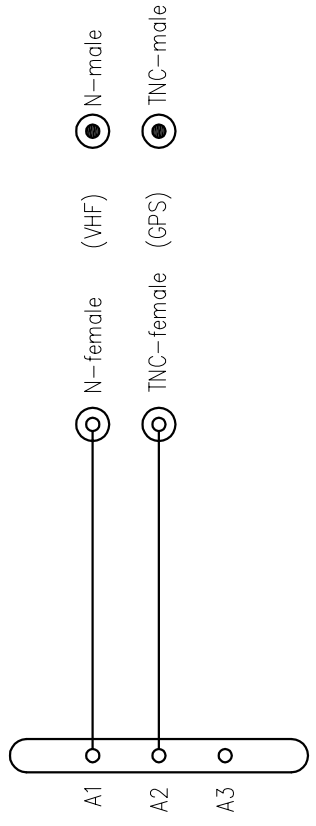
D

E

F



Stromlaufplan
circuit diagram



NOTES:

1. Mating connectors for cable are A1-03-0339 (TNC Male) and A1-03-0337 (N male) RG214 Crimp connectors.
2. Items 4, 5 and 6 to meet ENG60945 for:
 - Dust & water IP 67
 - Salt spray test
 - Corrosion resistance

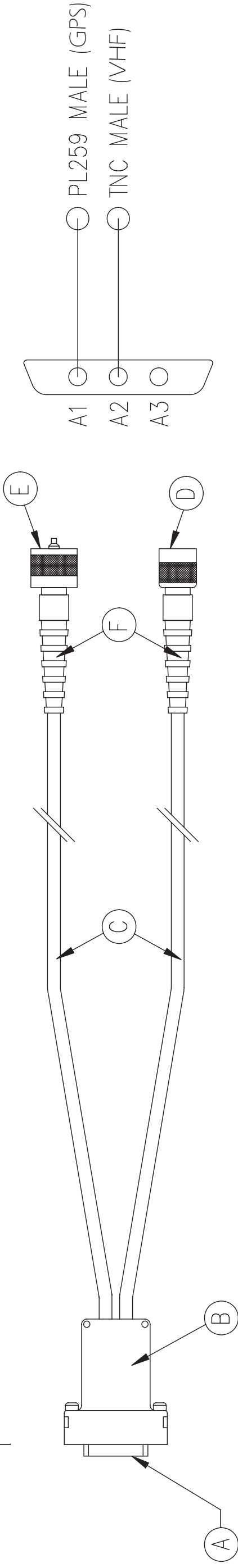
Id-No.: 2600653

DISTANCE FROM MAGNETIC COMPASS		CAD	
STANDARD TYPE: ...m		WEIGHT: 0,2 Kg	
STEERING TYPE: ...m		DRAWING TITLE	
mm [INCH]		Maßzeichnung / DIMENSIONAL DRAWING	
DATE		FOR	
DR 29.04.2003 DP		GPS/VHF cable for extension N TNC	
ACCEPTED AL 20.05.2003		2612	
ACR Electronics			
5757 Ravenswood Road			
Fort Lauderdale, FL 33312			
1 20.05.03			
LTR REVISIONS DATE			

THIS DOCUMENT AND THE DATA ENCLOSED HEREIN OR HEREWITH IS PROPERTY OF ACR ELECTRONICS INC. AND IS TO BE USED SOLELY FOR INFORMATIONAL PURPOSES. IT IS NOT TO BE REPRODUCED, USED, OR DISCLOSED IN WHOLE OR IN PART TO ANYONE WITHOUT THE PERMISSION OF ACR.

10m ± 30mm

SCHEMATIC



NOTES

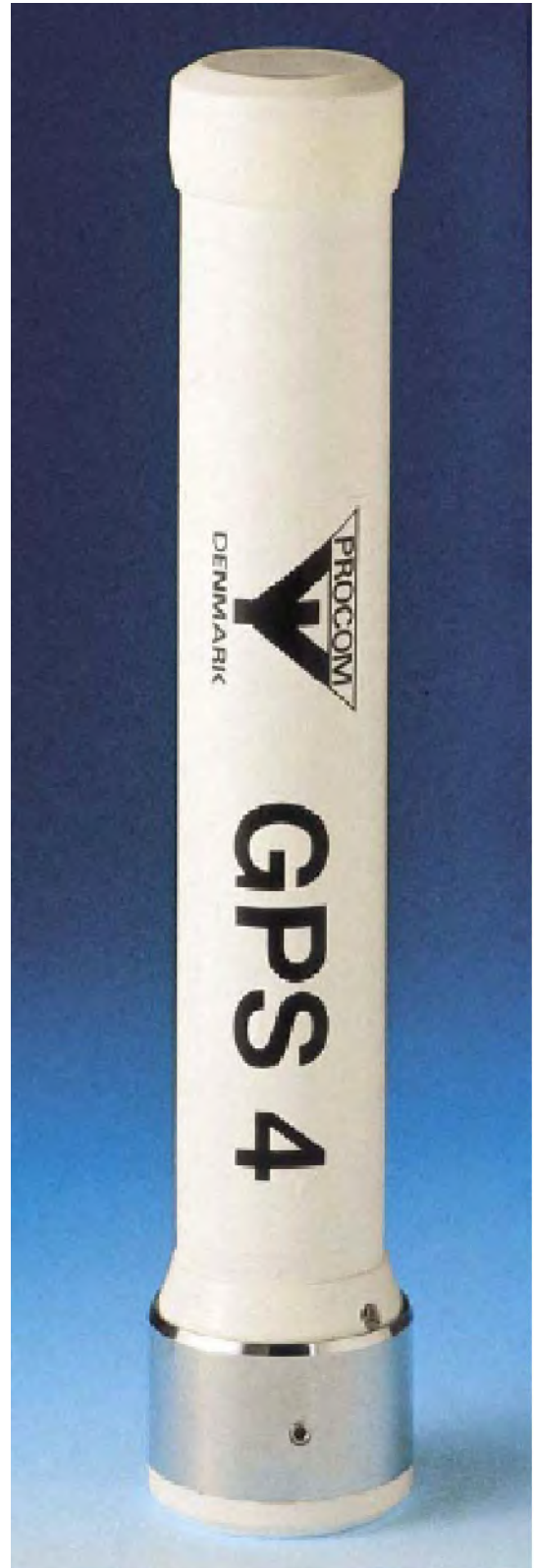
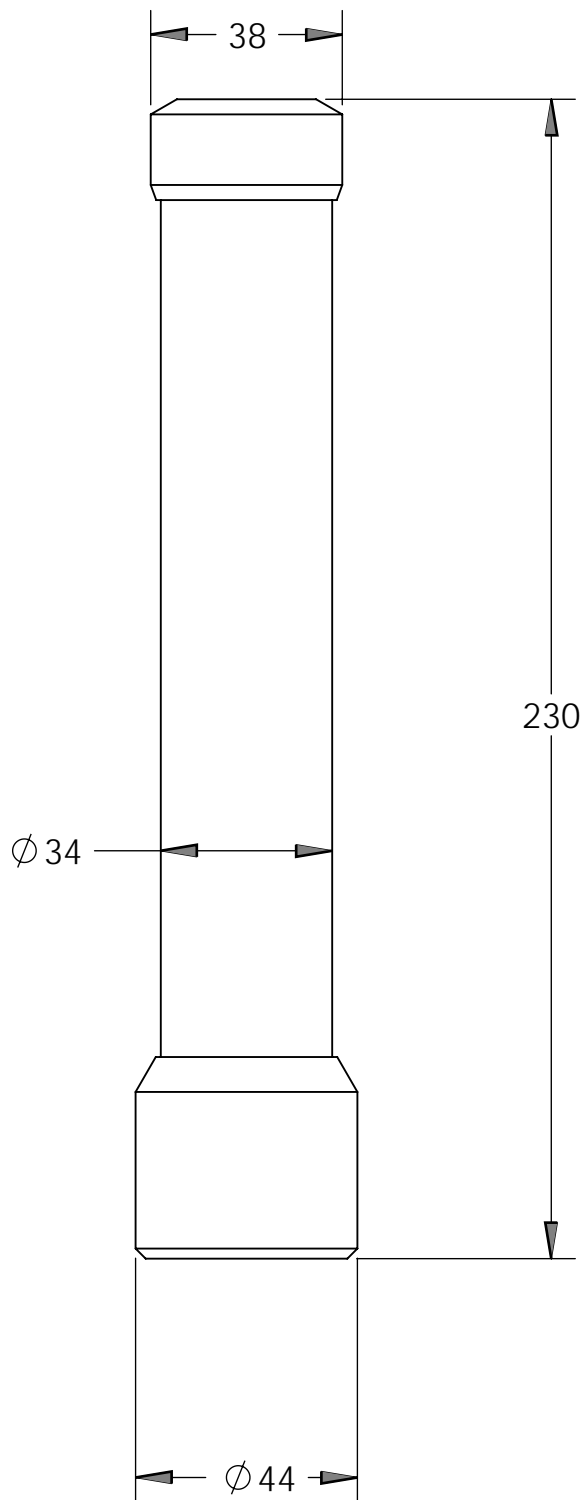
- 1.) A3 CONNECTION IS LEFT OPEN W/NO PIN
- A. A1+A2 ARE DIN COAXIAL CONNECTORS IN A 15 PIN SOCKET (FEMALE) SHELL W/ 4/40 JACK SCREWS.
- B. PROTECTION COVERING, BLACK, PLASTIC
- C. BEDEA COAX 11710500 OR RG58 C/U MIL STD 17F OR EQUIV.
- D. TNC MALE CONNECTOR, AMPHENOL CONNEX # 122108 OR EQUIV.
- E. PL259 MALE CONNECTOR, AMPHENOL CONNEX #182100 OR EQUIV.
- F. RUBBERIZED STRESS RELIEF BOOTS.

ACR ELECTRONICS INC
5797 RAVENWOOD RD., FT. LAUDERDALE FL 33312

GPS/VHF Interface Cable,
10 meters

DRAWING NO. 2613

SCALE NONE



GPS 4 PROCOM RECEIVING ANTENNA

DRAWING NO.

2622

SCALE 1:2

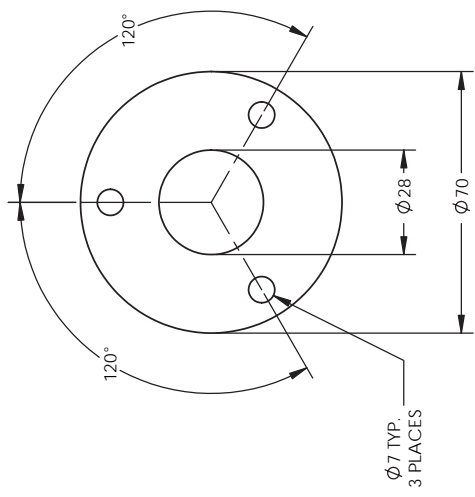
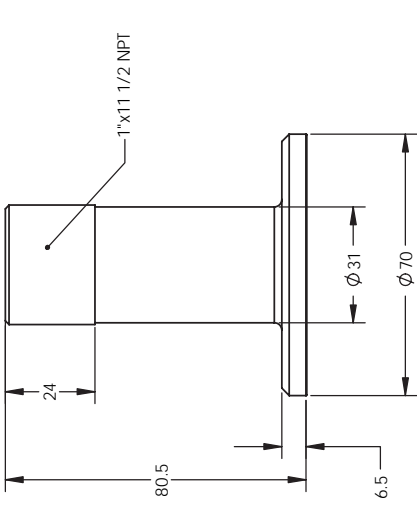
1

2

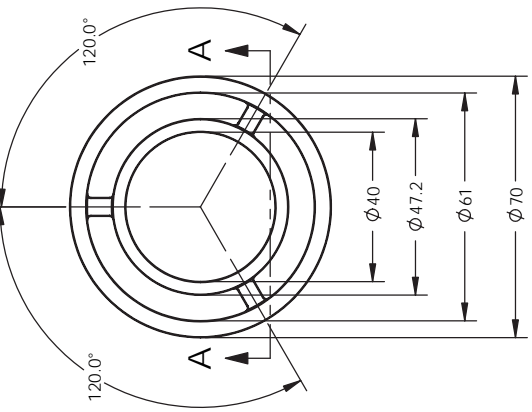
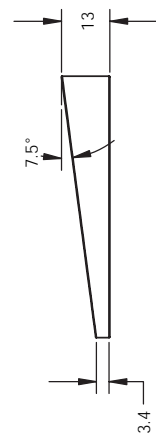
3

4

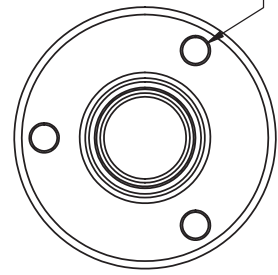
THIS DOCUMENT AND THE DATA DISCLOSED HEREIN OR HEREWITH IS PROPERTY OF AND BELONGS TO ACR ELECTRONICS, INC. FT. LAUDERDALE, FL. IT IS FURNISHED IN CONFIDENCE AND IS NOT TO BE REPRODUCED, COPIED, OR DISCLOSED IN WHOLE OR IN PART TO ANYONE WITHOUT THE PERMISSION OF ACR.



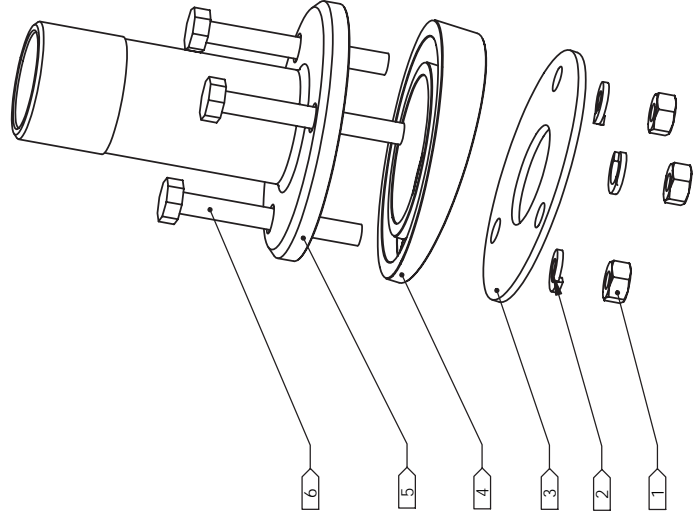
ITEM 3



ITEM 4



ITEM 5



- 1 > M6X1.0 HEX NUT, STAINLESS STEEL
- 2 > M6 SPLIT LOCK WASHER, STAINLESS STEEL
- 3 > FITTING, RUBBER
- 4 > TAPERED SPACER, UV-STABILIZED PLASTIC
- 5 > FLANGE, TRIPLE-CHROMED SOLID BRASS
- 6 > M6X1.0X50 HEX HEAD SCREW

ACR ELECTRONICS, INC <small>5750 WOODBRIDGE PL. LAUDERDALE, FL 33414</small>
ANTENNA MOUNT W/ HRDWRE METAL GPS4
ACR P/N 2623
SCALE 1:2

1

2

3

4

D

C

B

A

Electrical Specifications:

Dielectric Antenna
Center Frequency 1575.42MHz±3 MHz
V.S.W.R 1.5:1
Band Width ±5 MHz
Impedance 50 ohm
Peak Gain > 3dBic Based on 7×7cm ground plane
Gain Coverage > -4dBic at -90° <0 <+90°
(over 75% Volume)
Polarization RHCP

LNA/Filter

A3-06-2539 LNA Gain without cable 28 dB Typical
A3-06-2539-1 LNA Gain with cable 17 dB to 20 dB
Noise Figure 1.5dB
Filter Out Band Attenuation (f0=1575.42 MHz)
7dB Min f0+/-20MHZ
20dB Min f0+/-50MHZ
30dB Min f0+/-100MHZ
V.S.W.R < 2.0
DC Voltage 5.0V
DC Current Nominal 11mA

Mechanical

Weight < 140gram
Size Ø96×126mm
Cable RG58
Connector TNC Male
Mounting M24×1.5
Housing white

Environmental

Working Temp -40°C ~ +85°C
Storage Temp. -45°C ~ +100°C
Vibration Sine sweep 1g(0-p)10~50~10Hz each axis
Humidity 95%~100%RH
Weatherproof 100%Waterproof



28dB Gain

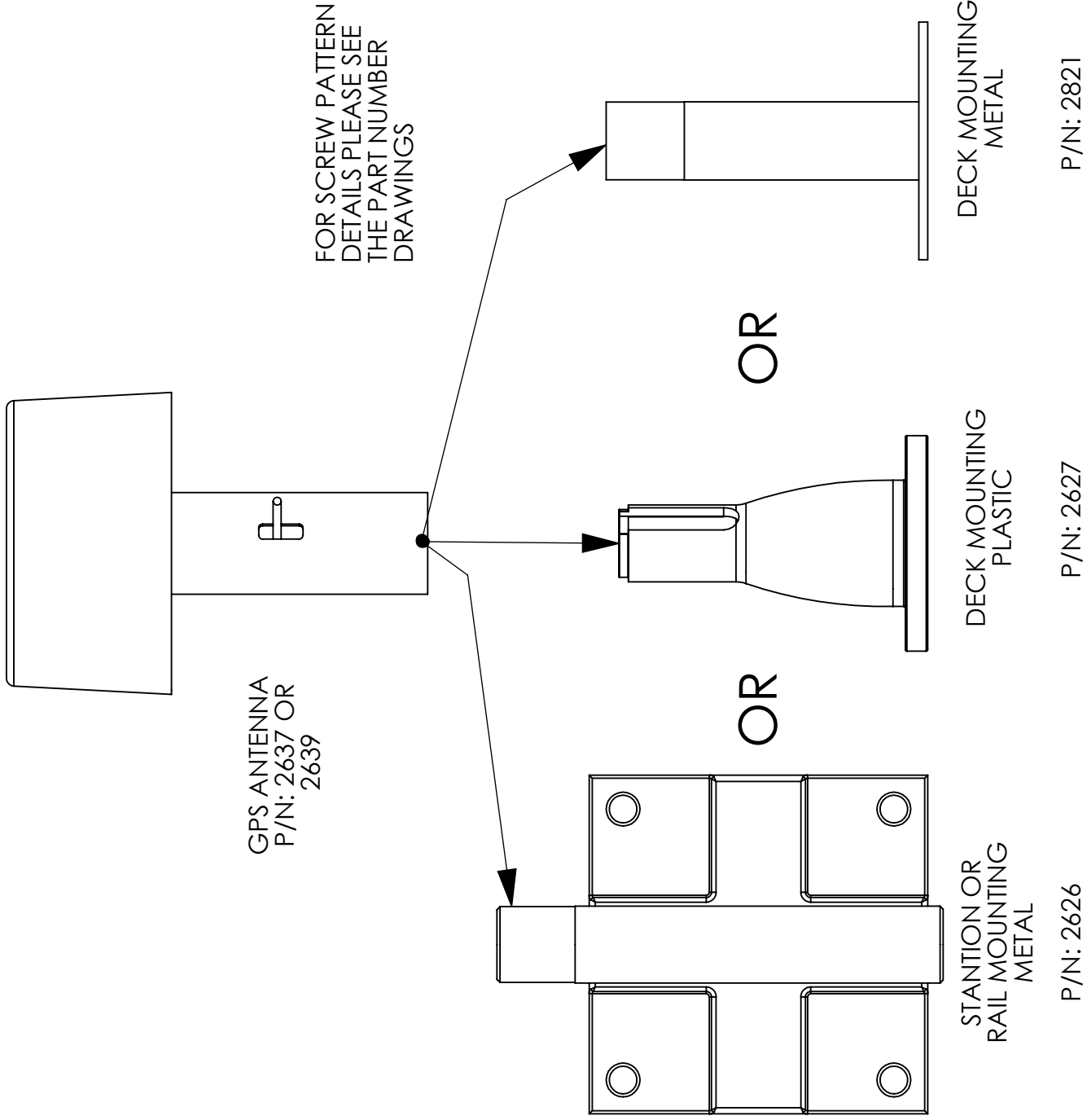


20dB Gain

ACR ELECTRONICS INC.

Marine BBT Active GPS Antennas
w/5 Meter Coax & TNC Male Connector
2637 (28dB Gain) or 2639 (20dB Gain)

MOUNTING OPTIONS FOR GPS ANTENNA



THIS DOCUMENT AND THE DATA DISCLOSED HEREIN OR HEREWIthin IS PROPERTY OF ACR AND BELONGS TO ACR ELECTRONICS, INC. IT IS TO BE USED ONLY FOR INFORMATIONAL PURPOSES. IT IS NOT TO BE REPRODUCED, USED OR DISCLOSED IN WHOLE OR IN PART TO ANYONE WITHOUT THE PERMISSION OF ACR.

1

2

3

4

5

6

7

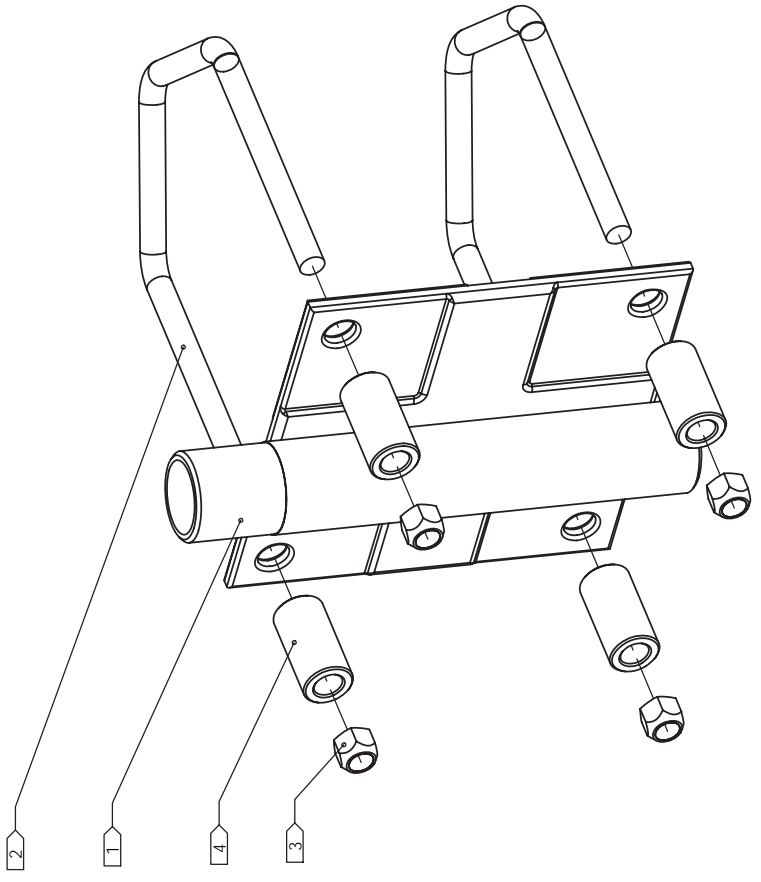
8

D

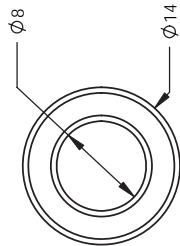
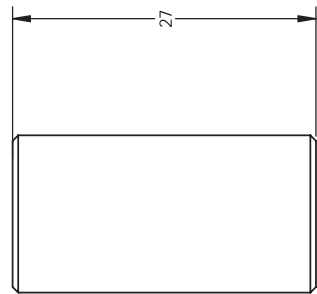
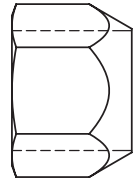
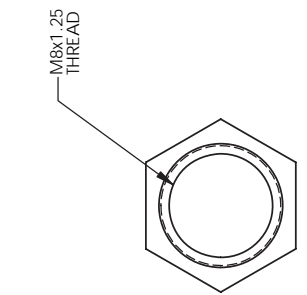
C

B

A

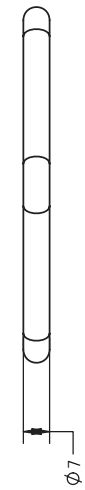
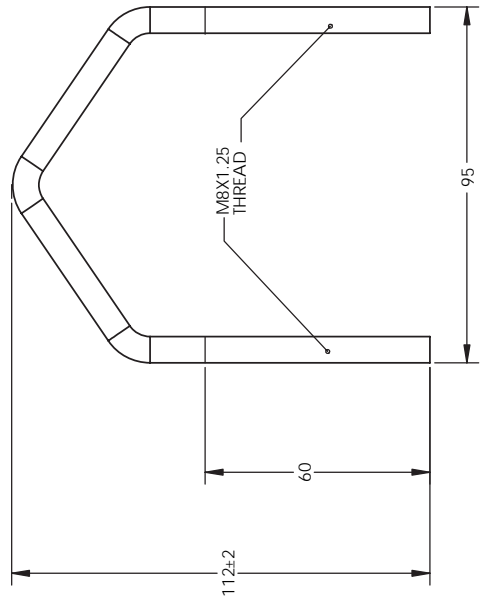
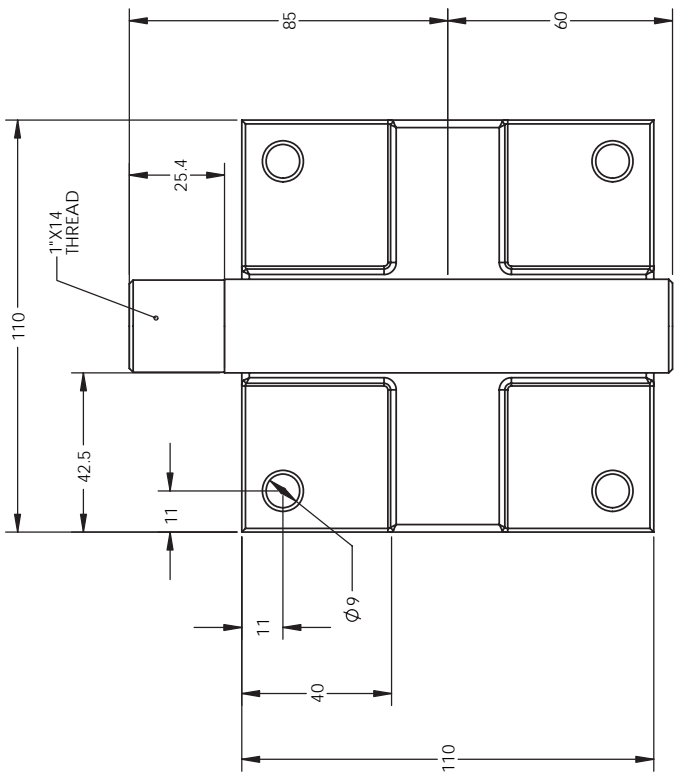
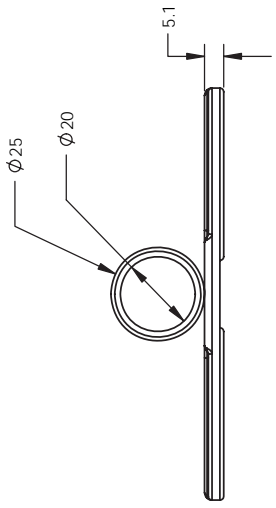


- 1 PIPE MOUNTING BRACKET
- 2 U SHAPED SCREW
- 3 M8X1.25 HEX LOCKNUT
- 4 SPACERS



NOTES:

1. GLOMEX
P/N: V9171
2. MATERIAL: STAINLESS STEEL
3. FINISH: ELECTRO POLISHED
4. ITEMS COME TOGETHER IN A BOX



ACR ELECTRONICS, INC
5757 RAVENSWOOD RD. FT. LAUDERDALE FL 33312

ANTENNA MOUNT
METAL, GPS

2626
SCALE: 1:1

SPECIFICATION CONTROL DRAWING

8

7

6

5

4

3

2

1

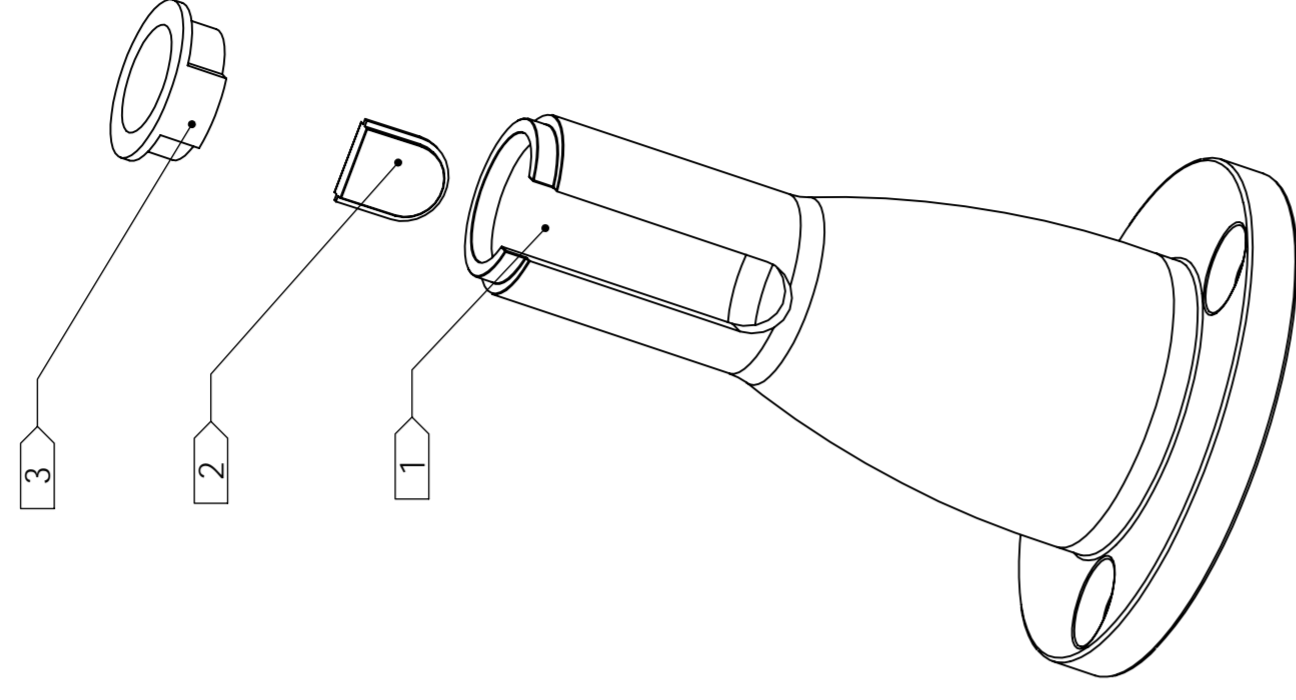
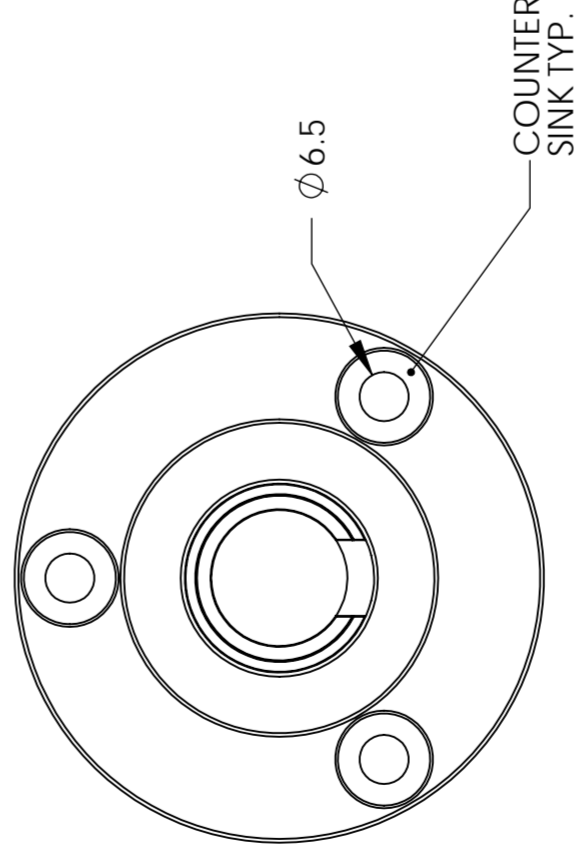
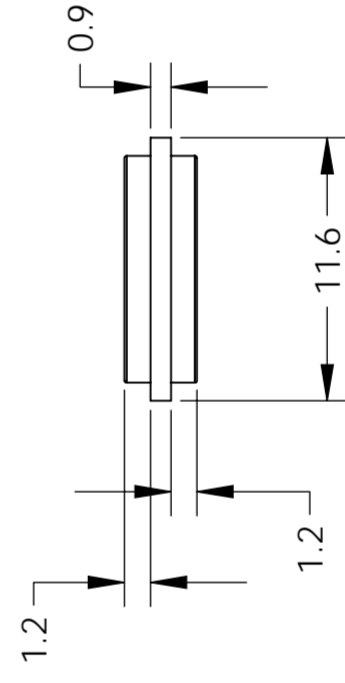
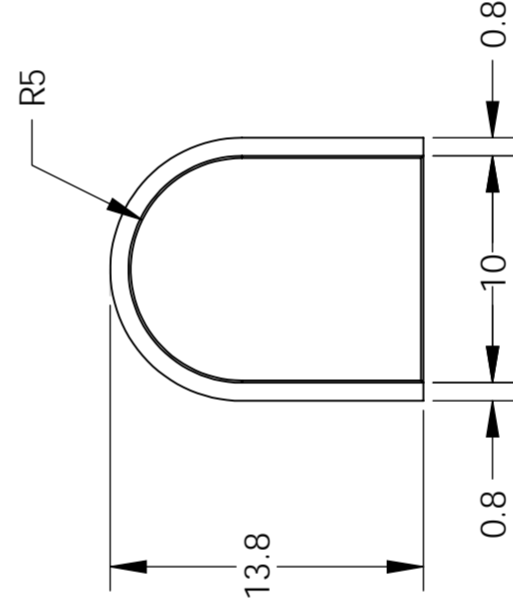
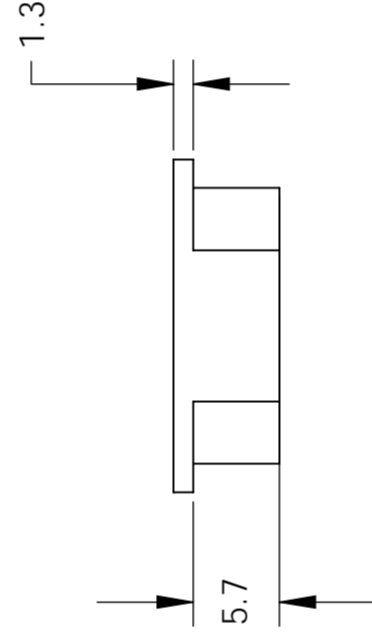
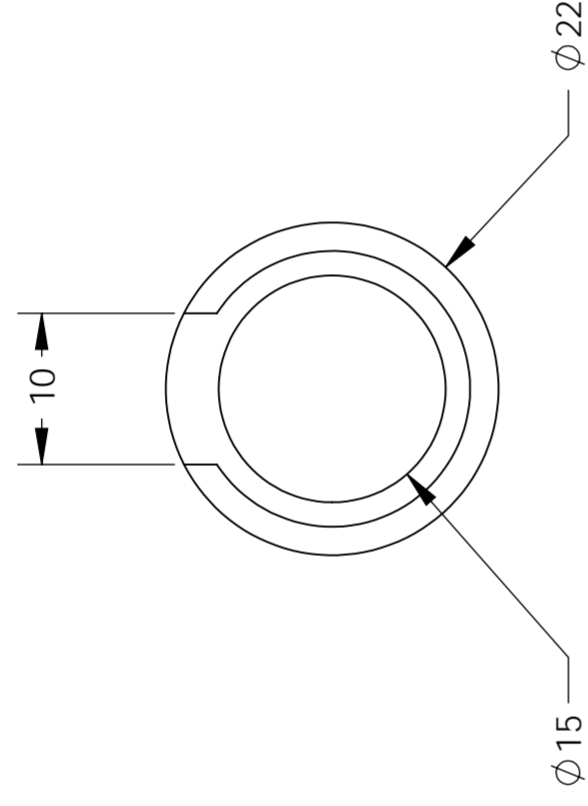
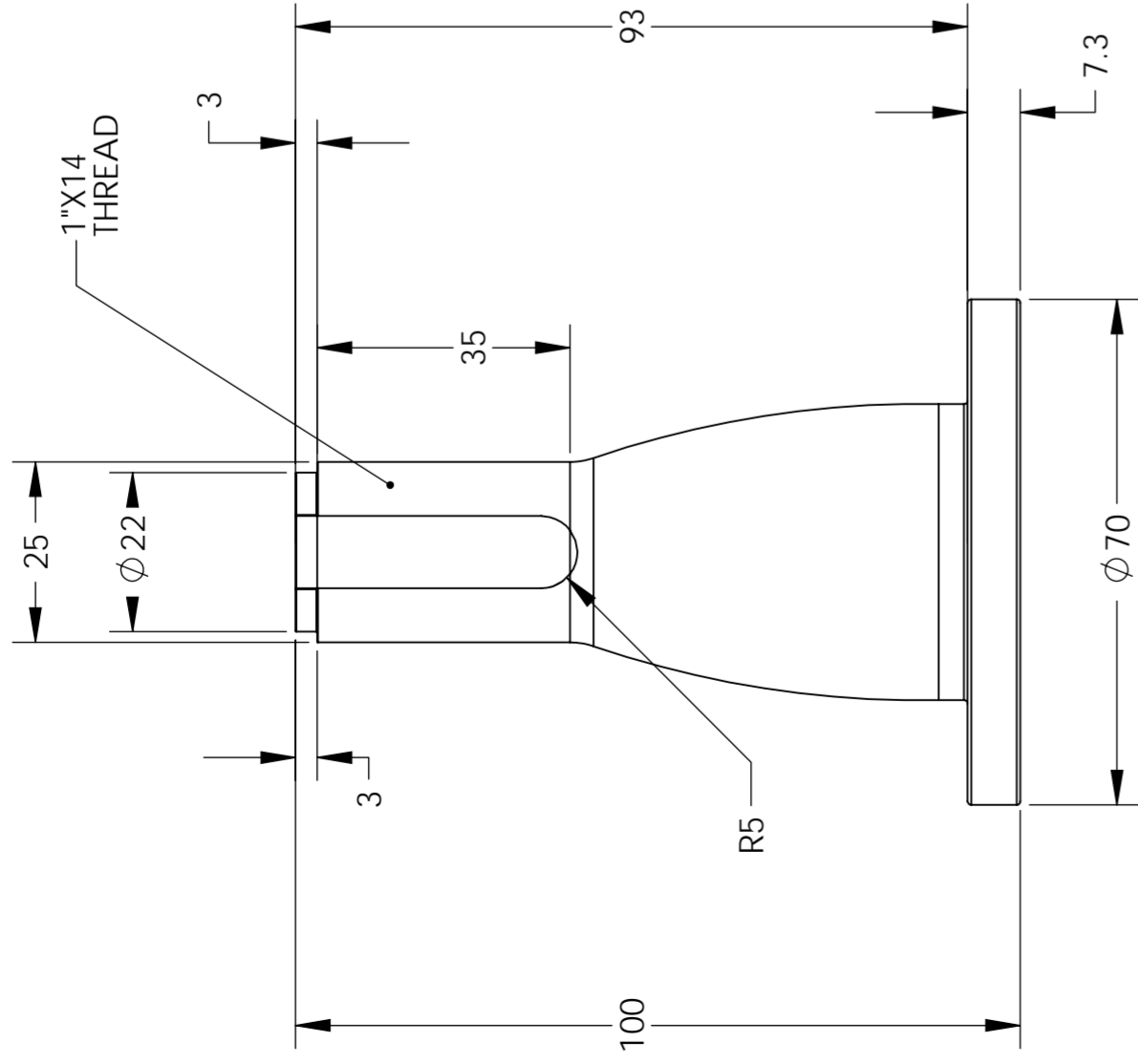
1

2

3

4

THIS DOCUMENT AND THE DATA DISCLOSED HEREIN OR HEREWITH IS PROPERTY OF AND BELONGS TO ACR ELECTRONICS, INC. FT. LAUDERDALE, FL. IT IS FURNISHED IN CONFIDENCE SOLELY FOR INFORMATIONAL PURPOSES. IT IS NOT TO BE REPRODUCED, USED OR DISCLOSED IN WHOLE OR IN PART TO ANYONE WITHOUT THE PERMISSION OF ACR.



- 1 MOUNT BASE
- 2 CABLE TAB
- 3 STIFFENER RING

NOTES:

1. GLOMEX
P/N: V9175
2. MATERIAL: NYLON
3. COLOR: WHITE
3. ITEMS COME INDIVIDUALLY PACKAGED

A

4

ACR ELECTRONICS, INC 9757 RAVENSWOOD RD. FT. LAUDERDALE, FL. 33312
GPS MOUNT - PLASTIC
DRAWING NO. 2627
SCALE 1:1

4

3

2

1

THIS DOCUMENT AND THE DATA DISCLOSED HEREIN OR HEREWITH IS PROPERTY OF AND BELONGS TO ACR ELECTRONICS, INC. FT LAUDERDALE, FL. IT IS FURNISHED IN CONFIDENCE SOLELY FOR INFORMATIONAL PURPOSES. IT IS NOT TO BE REPRODUCED, USED OR DISCLOSED IN WHOLE OR IN PART TO ANYONE WITHOUT THE PERMISSION OF ACR.

NOTES:

- 1. MATERIAL: 304 STAINLESS STEEL
- 2. FINISH: POLISHED

B

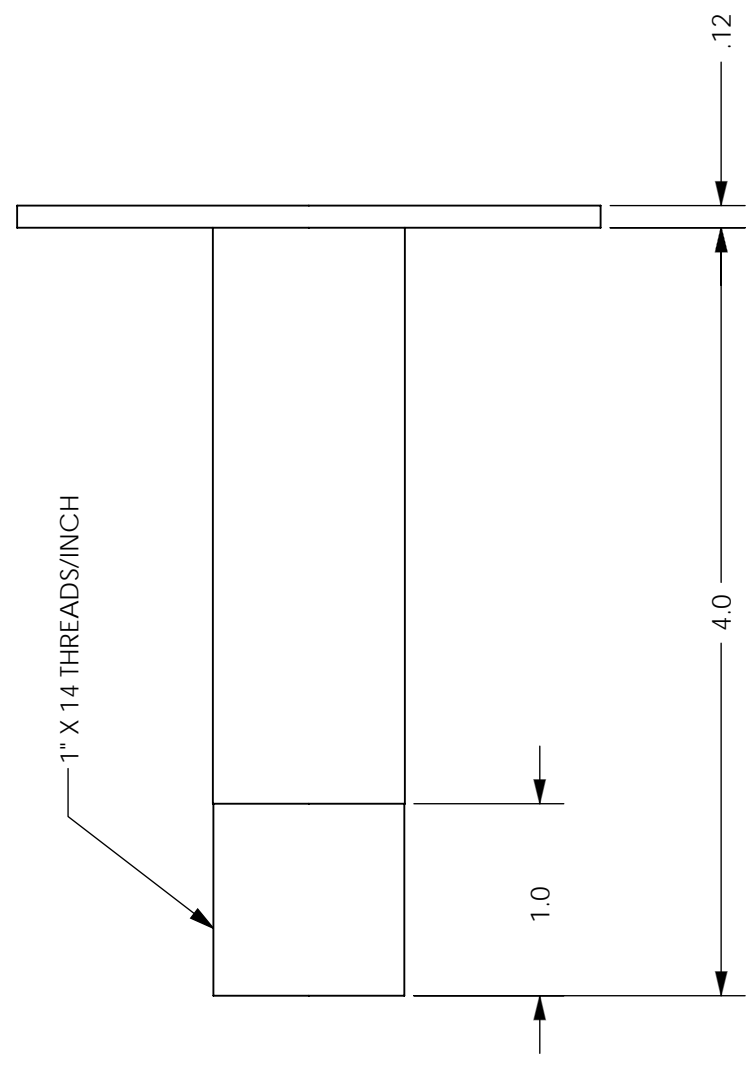
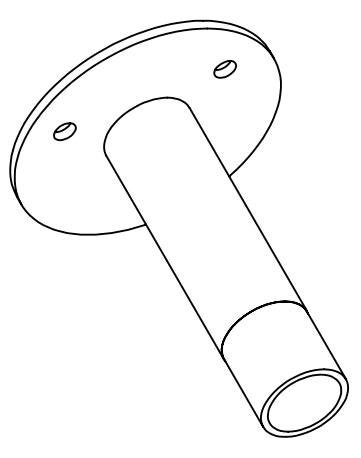
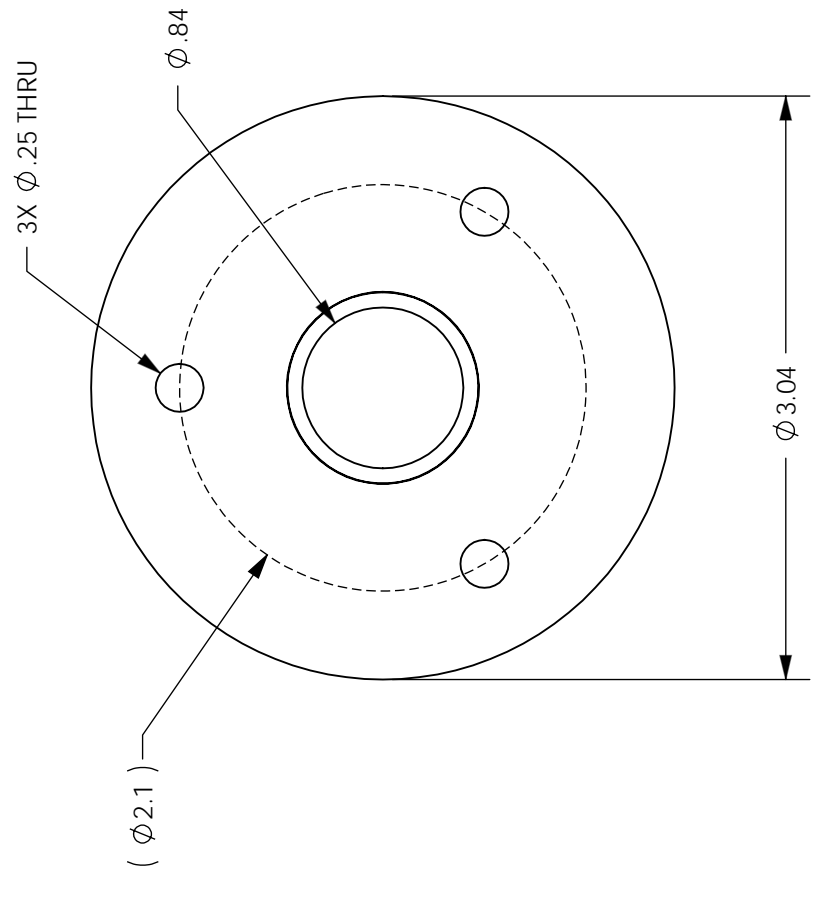
B

4

3

2

1



A

A

SPECIFICATION CONTROL DRAWING

ACR ELECTRONICS, INC 5757 RAVENSWOOD RD. FT. LAUDERDALE FL. 33312
GPS Deck Mount Metal 1 x 14 thread
DRAWING NO. 2821
SCALE 1:2

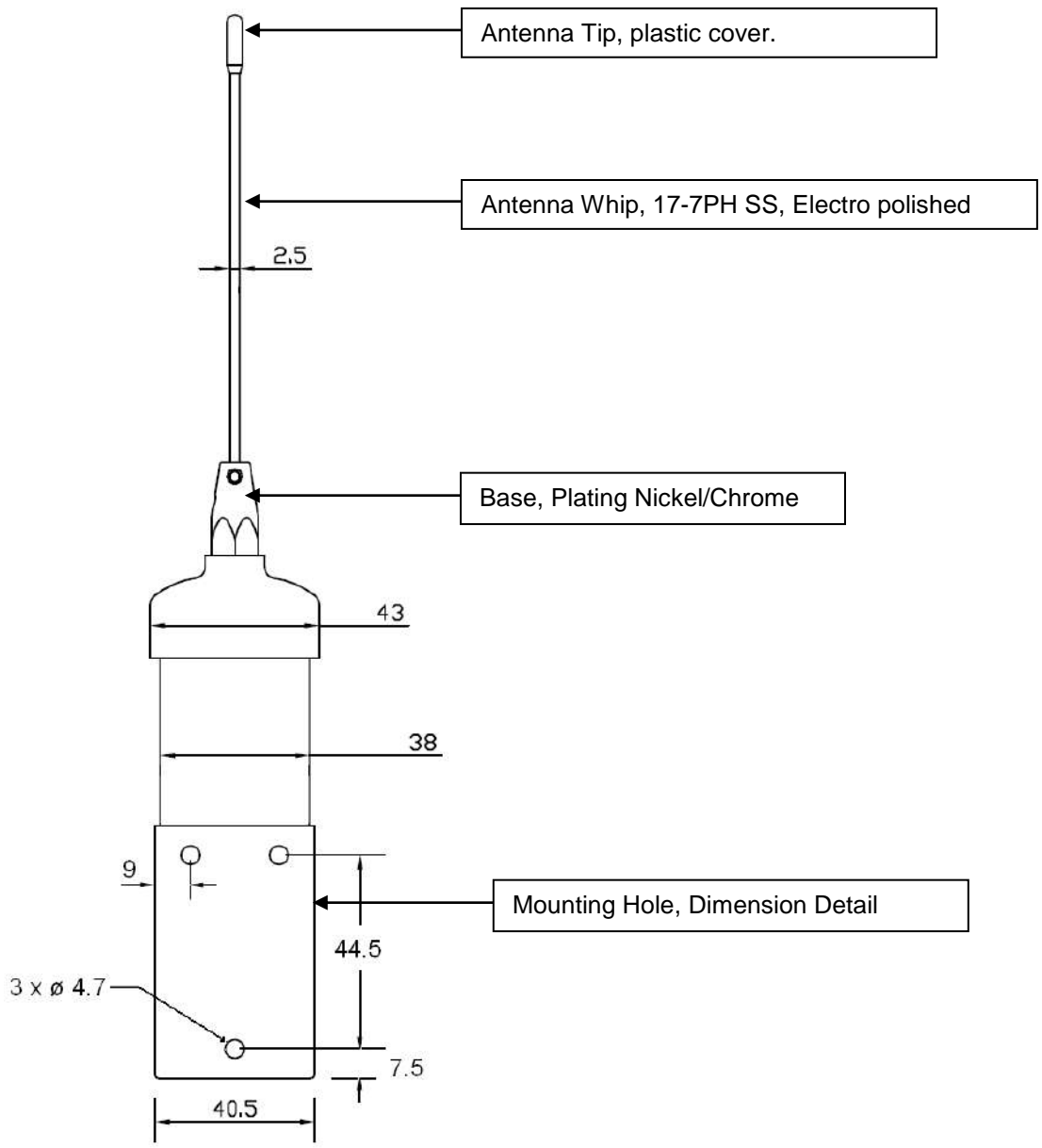
4

3

2

1

Antenna Width Dimensions:



ACR ELECTRONICS INC.

5757 Ravenswood Road
Fort Lauderdale, FL 33312

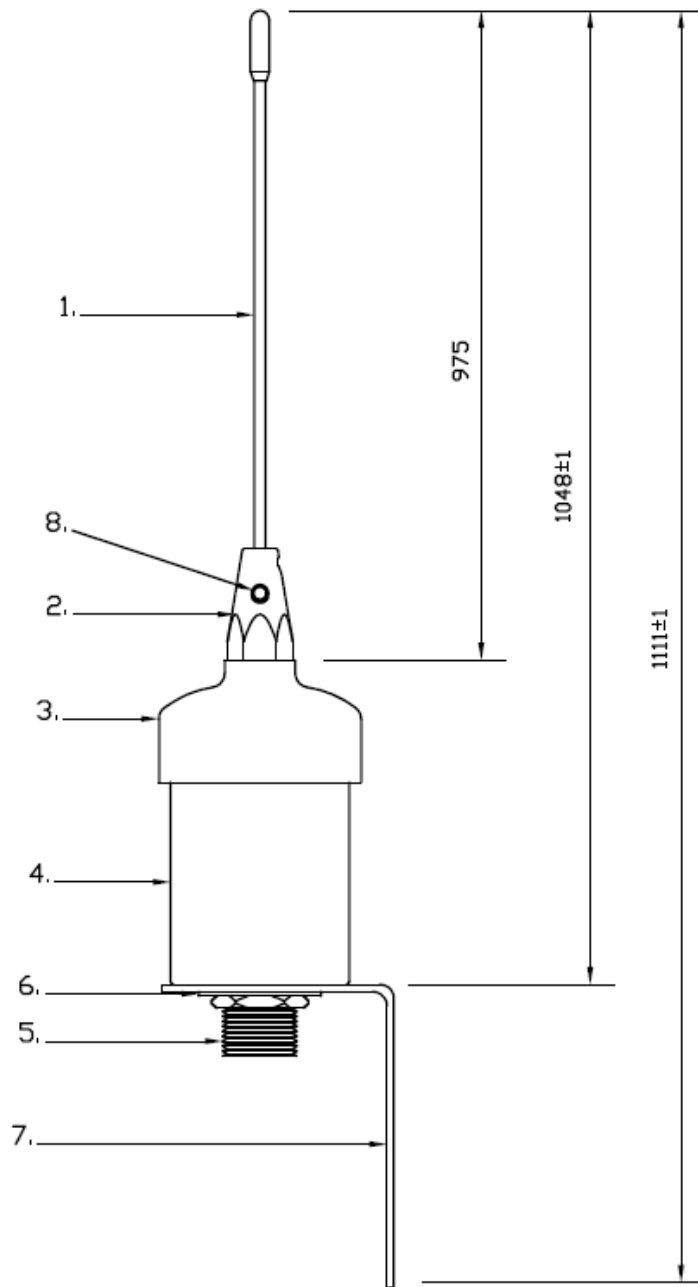
SHEET

-1-

ACR PART NUMBER

2628

Antenna Dimension and Part Description:



Part Descriptions:

- 1.) Antenna Whip
- 2.) Base of whip
- 3.) Coil housing cover – White nylon.
- 4.) Coil housing – Aluminum White.
- 5.) Antenna Connector – SO-239, female.
- 6.) Locking washer and nut.
- 7.) Mounting bracket
- 8.) Set screw x2.

ACR ELECTRONICS INC.

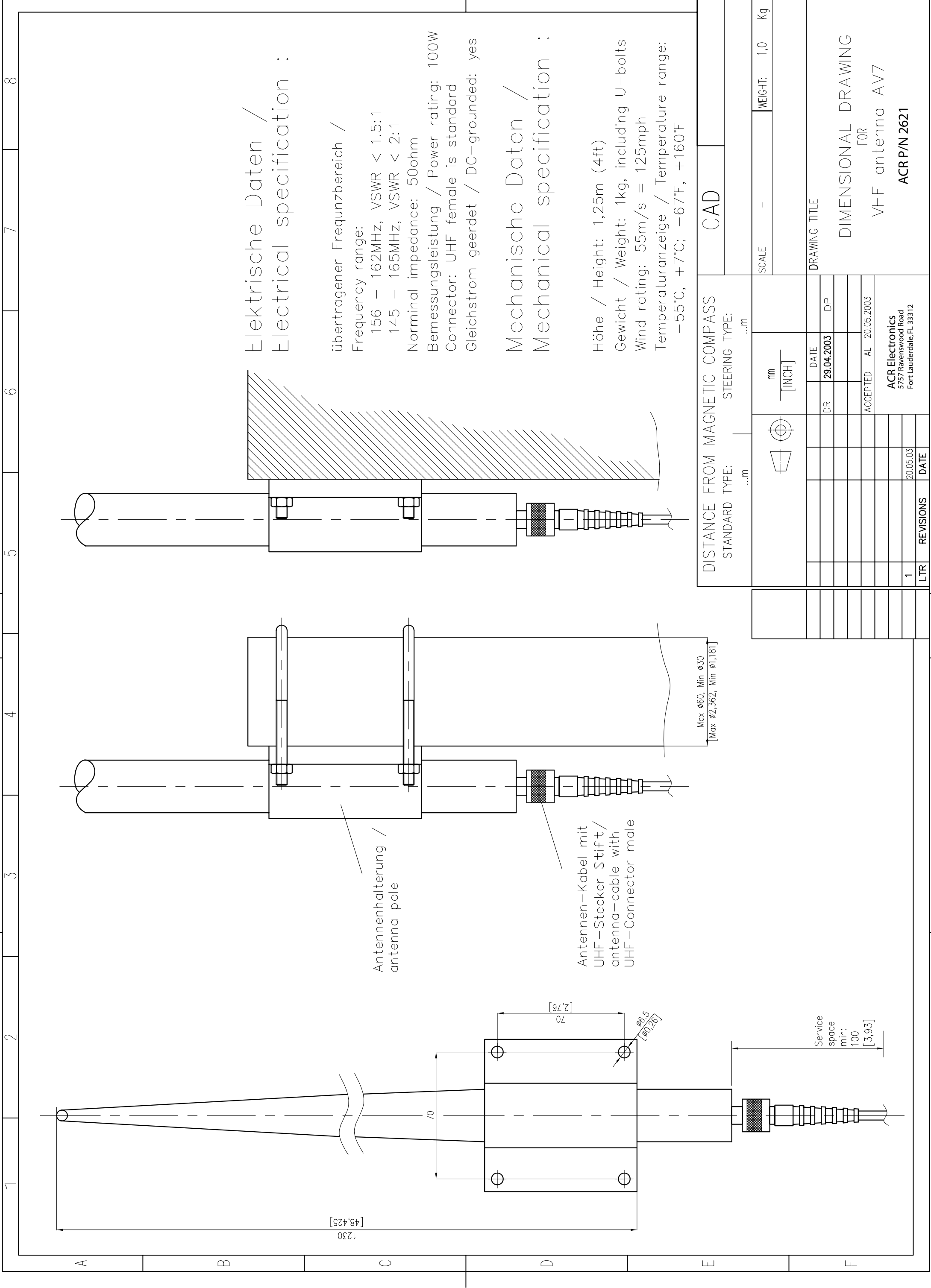
5757 Ravenswood Road
Fort Lauderdale, FL 33312

SHEET

-2-

ACR PART NUMBER

2628



Elektrische Daten /
Electrical specification :

übertragener Frequenzbereich /

Frequency range:

156 - 162MHz, VSWR < 1.5:1

145 - 165MHz, VSWR < 2:1

Normal impedance: 50ohm

Bemessungsleistung / Power rating: 100W

Connector: UHF female is standard

Gleichstrom geerdet / DC-grounded: yes

Mechanische Daten /
Mechanical specification :

Höhe / Height: 1,25m (4ft)

Gewicht / Weight: 1kg, including U-bolts

Wind rating: 55m/s = 125mph

Temperaturanzeige / Temperature range:

-55°C, +7°C; -67°F, +160°F

DISTANCE FROM MAGNETIC COMPASS

STANDARD TYPE: ...m

STEERING TYPE: ...m

CAD

SCALE	-	WEIGHT:	1,0	Kg
DRAWING TITLE				
DIMENSIONAL DRAWING FOR VHF antenna AV7				
ACCEPTED AL 20.05.2003				
ACR Electronics 5757 Ravenswood Road Fort Lauderdale, FL 33312				
1	LTR	REVISIONS	DATE	

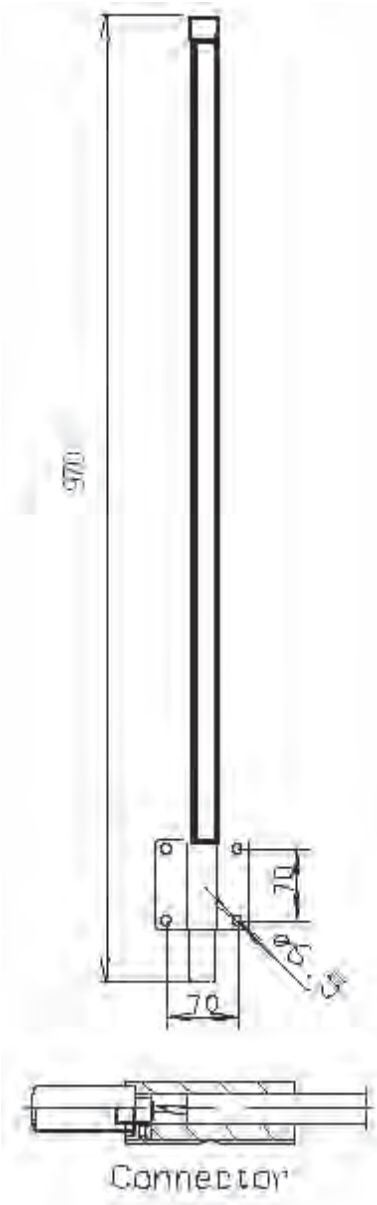
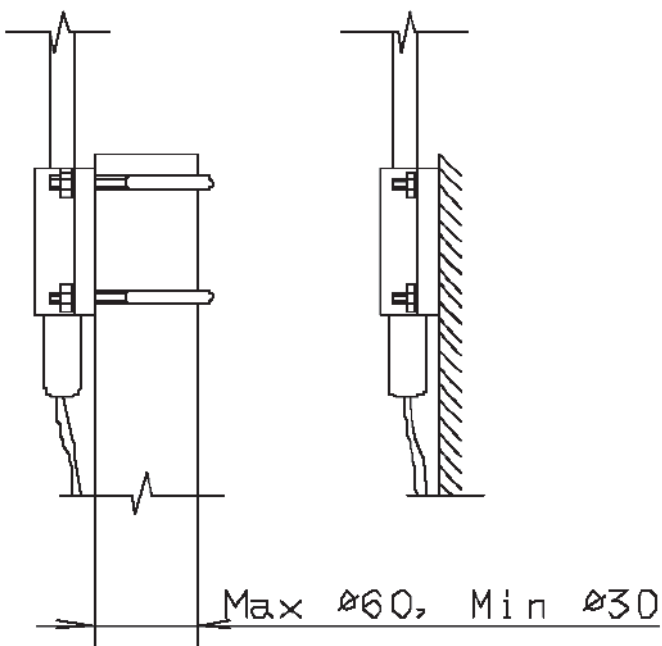
TECHNICAL DATA:

Electrical specifications:

Frequency range	VHF: 156-162 MHz, VSWR <2 :1 GPS: 1575.42MHz, L1
Nominal impedance	50 ohm
Power rating	VHF: 25 W
Gain	VHF: 1 dBi GPS: +24dBic
Polarization	VHF: Vertical GPS: RHCP
Power GPS	2 – 5.6V DC feed through the coax. cable, 16mA + center, -outer conductor
Noise figure, GPS amp.	1.2dB maximum
Connector	N female
Cable length between antenna and filter	RG214 : 40m maximum RG58 : 20m maximum

Mechanical specifications:

Design	VHF: Centerfed coaxialdipole. GPS: Active Quad helix
	Radiating elements completely enclosed in polyurethane foam within a fiberglass tube.
Height	0,97m
Weight	0,5 kg
Wind rating	55 m/s = 125 mph
Finish	Polyurethane lacquer, white
Temperature range	-40°C, +50°C;+ -28 °F, +122°F

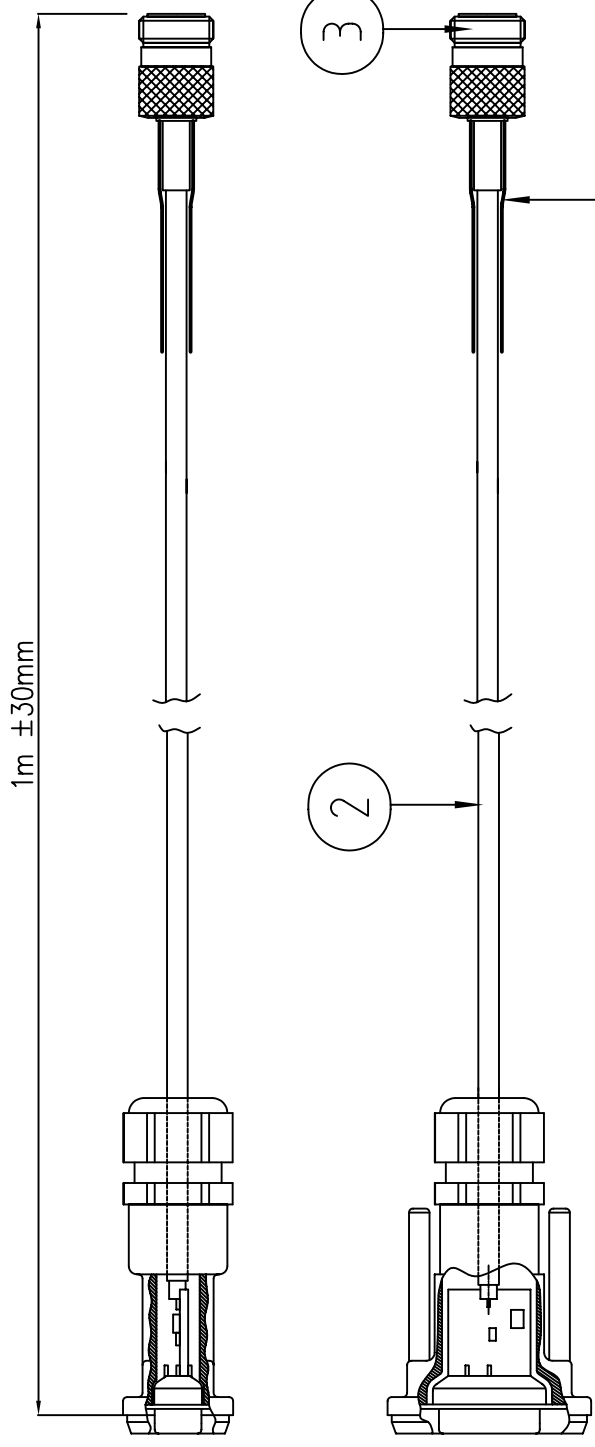


Antenna VHF GPS Combo

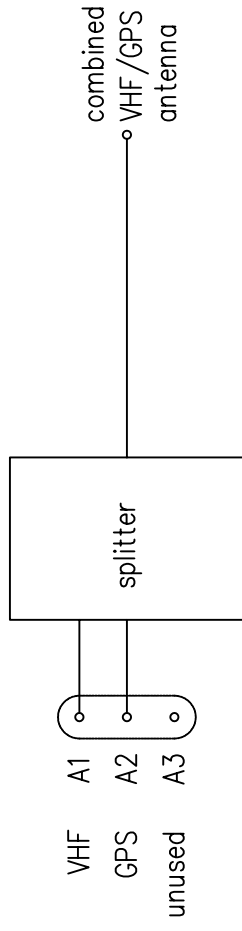
DRAWING NO. 2624

ACR Electronics, Inc.

SCALE 1:1



schematic diagram



Electric specifications

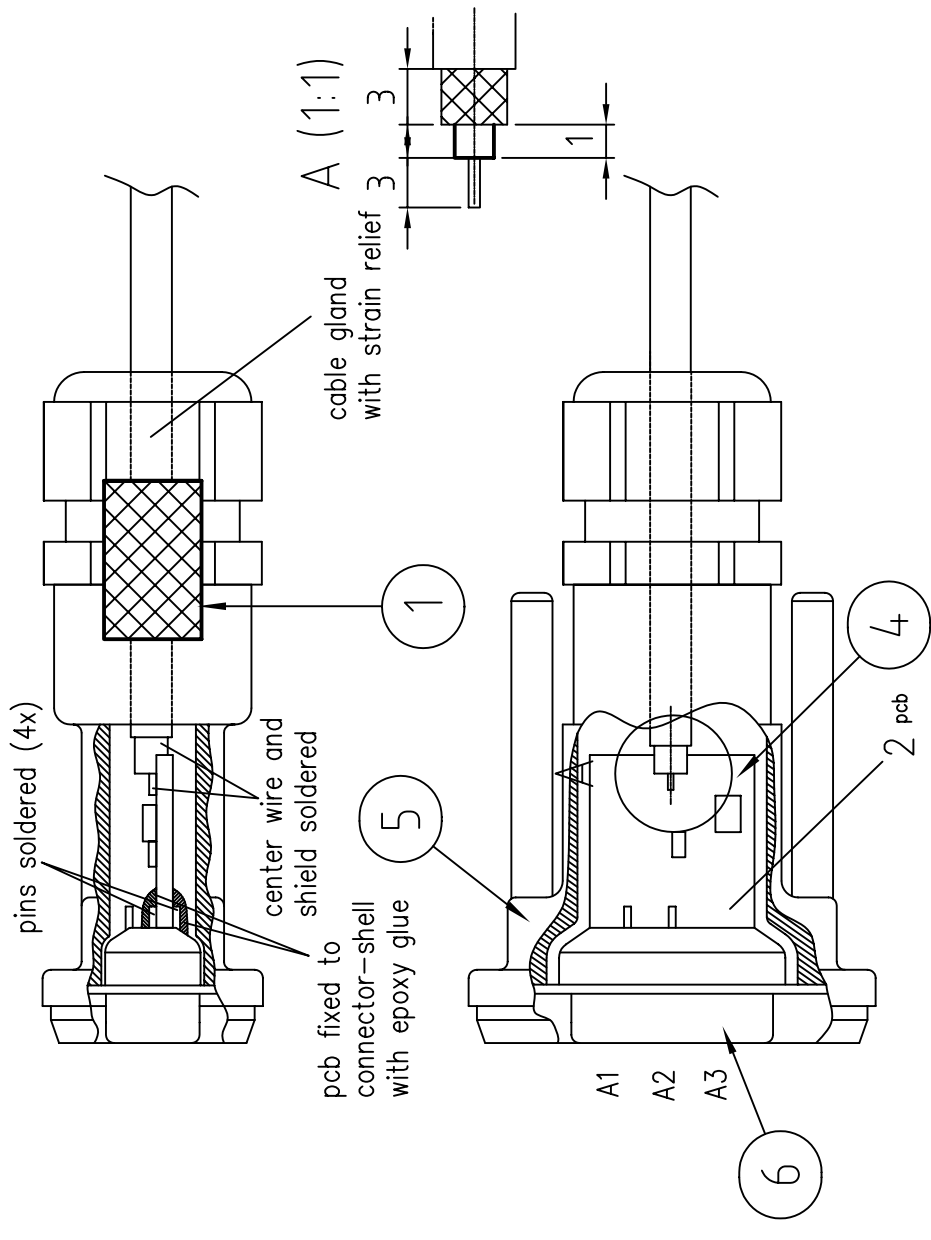
- VHF - VHF/GPS antenna : <-0,5db @158MHz
- VHF - GPS : <-35db @158MHz
- GPS - VHF/GPS antenna : <-2,5db @1575MHz

remark:

- items 2 og 3 will not meet the EN60945 environment requirements as:
- protection IP67
- salt spray test
- resistiveness to corrosion

delivery conditions:

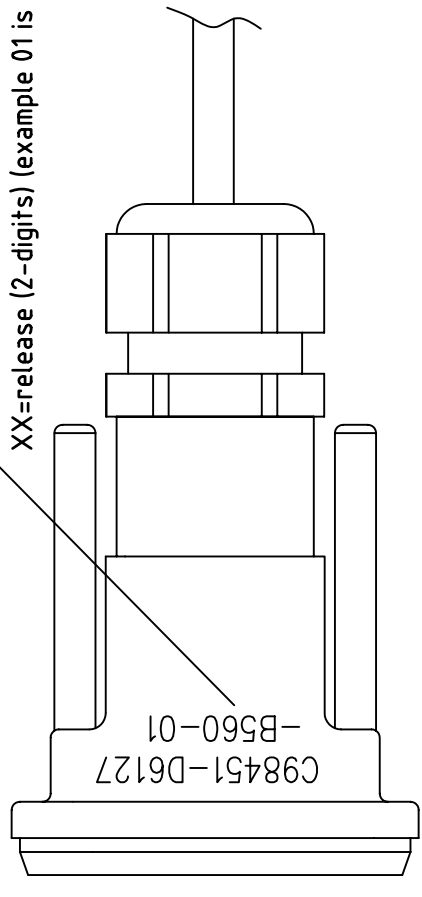
cable rolled up to a ring, packed into a PE-bag



Lettering "C98451-D6127-B560-XX"

size min. 2mm

XX=release (2-digits) (example 01 is drawing release 01)



1	7	Krympselange $\phi 9/3$	ATUM	Kapplengde= 30mm
1	6	Koax. plugg		4.003W35XX76A10X fra CONEC
1	5	Vannfett hus		165x14829x fra CONEC
1	4	Printkort	AC17-AIS-MAR-IA-0001	Hunn
1	3	N-plugg full crimp		RG-58 sort L=960mm
1	2	Kabel		
5	1	Hylse	AC17-AIS-MAR-T-0001 POM	
Ant.	Pos	Navn	Tegn.nr.	Material
Dato	23.09.2003	Tegnet	ibe	Godkjent
				Målestokk
				1:2
				Type /Dimensjon
				Erstatningfor
				Erstattet av



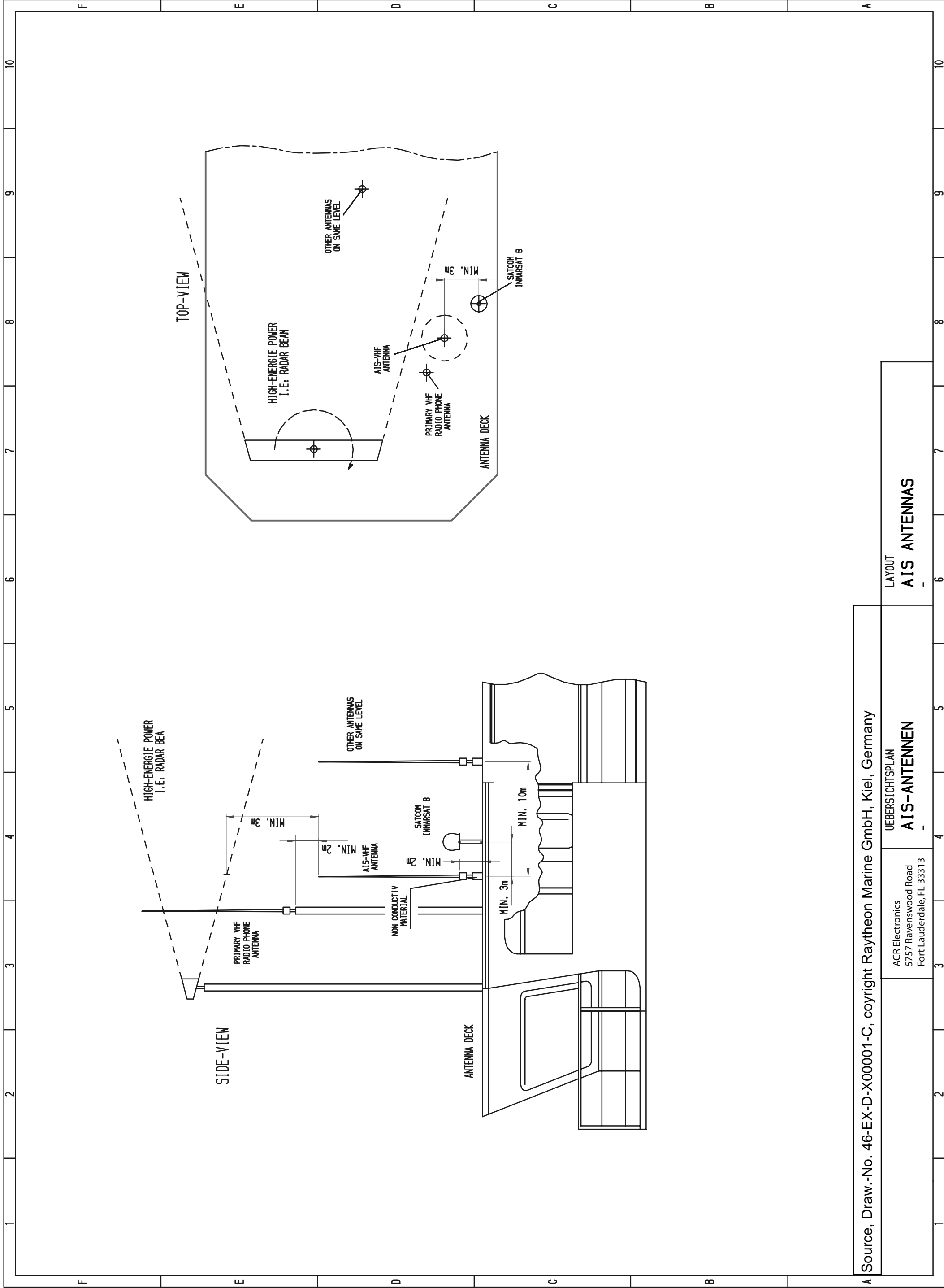
COMROD

AIS/F/Nauticast
Sammenstilling

Included with ACR Part #2624

Side

Overflate



Für diese technische Unterlage behalten wir uns alle Rechte vor. For this technical document all rights reserved.

A Source, Draw.-No. 46-EX-D-X00001-C, copyright Raytheon Marine GmbH, Kiel, Germany

ACR Electronics
5757 Ravenswood Road
Fort Lauderdale, FL 33313

ÜBERSICHTSPLAN
AIS-ANTENNEN

LAYOUT
AIS ANTENNAS



Bundesrepublik Deutschland

Federal Republic of Germany

Bundesamt für Seeschifffahrt und Hydrographie

Federal Maritime and Hydrographic Agency



BUNDESAMT FÜR
SEESCHIFFFAHRT
UND
HYDROGRAPHIE

EC TYPE EXAMINATION (MODULE B) CERTIFICATE

This is to certify that:

Bundesamt für Seeschifffahrt und Hydrographie, specified as a "notified body" under the terms of „Schiffssicherheitsgesetz“ of 9. September 1998 (BGBl. I, p. 2860) modified last 17. October 2005 (BGBl. I, p. 2985), did undertake the relevant type approval procedures for the equipment identified below which was found to be in compliance with the Navigation requirements of Marine Equipment Directive (MED) 96/98/EC as modified by Directive 2002/75/EC.

Applicant **ACR Electronics Europe GmbH**
Address **Mariahilfer Straße 50/2/11, 1070 VIENNA, AUSTRIA**

Manufacturer **ACR Electronics, Inc.**
Address **5757 Ravenswood Road, FORT LAUDERDALE, FL-33312-6645, USA**

Annex A.1 Item (No & item designation) **4.32 / Universal automatic identification system equipment (AIS)**

Product Name **X-Pack DS**

Trade Name(s) **see page 2**

Specified Standard(s)

IMO MSC.74(69) Annex 3	IEC 61993-2 (2001)
ITU-R M 1371-1 (Class A)	IEC 61162-1 (2000), -2 (1998)
IALA Technical Clarifications of Rec. ITU-R M, 1371-1 (Edition 1.3)	IEC 60945 (1996)
ITU-R M.825-3	IEC 61108-1 (1996)
ITU-R M. 1084-3	

This certificate remains valid unless cancelled, expired or revoked.

Date of issue: 2006-05-08

Issued by: Bundesamt für Seeschifffahrt und Hydrographie
Bernhard-Nocht-Str. 78, 20359 Hamburg, Germany
Notified body 0735

Expiry date: 2009-04-30

Certificate No.: BSH/4612/4320296/06

This certificate consists of 2 pages.



by order

Schulz-Reifer
Schulz-Reifer



Components necessary for operation:

Components necessary for operation	Part No.	Remarks
X-Pack DS	NAU-A 002	Software-Version: 2.0x
Connection Box	NAU-B 401	
VHF antenna Glomex	NAU-B 610	or equivalent
VHF antenna Marine II	NAU-B 601	or equivalent

The internal GPS sensor of the X-Pack DS is used as a backup sensor for position reporting

Documentation:

User Manual: Version 1.0x dated: 2002-12
 Installation Manual: Version 1.0x dated: 2003-03

Trade names:

The equipment is also available under the following trade names:

		Nauticast part No. of AIS transponder unit
Raytheon Marine	RM 808 AIS	NAU-A 023
ACR	GlobalWatch UAIS	NAU-A 051
Marine Technologies	Bridgemate AIS	NAU-A 061
ACR	Nauticast	NAU-A 007

Limitations on the acceptance or use of the product:

Places of production:

Notes:

The manufacturer shall inform Bundesamt für Seeschifffahrt und Hydrographie, as the notified body, of any modifications to the type-tested product(s) that may affect compliance with the requirements or conditions laid down for use of the product(s).

In case the specified regulations or standards are amended during the validity of this certificate, the product(s) must be re-certified before being placed on board vessels to which such amended regulations or standards apply.

The Mark of Conformity (wheelmark) may only be affixed to the type approved equipment, and a Manufacturer's Declaration of Conformity may only be issued, if the product quality system fully complies with the Marine Equipment Directive and is certified by a notified body against ANNEX B module D, E, or F of the Directive.

Example for the Application of the "Mark of Conformity":

xxxx number of the Notified Body responsible for quality surveillance module
 yy Last two digits of the year in which the mark is affixed.

Notice on legal remedies available:

Objection to this document may be filed within one month after notification. The objection must be filed in writing to, or put on record at, Federal Maritime and Hydrographic Agency, Bernhard-Nocht-Str. 78, 20359 Hamburg, Germany



Bundesrepublik Deutschland

Federal Republic of Germany

Bundesamt für Seeschifffahrt und Hydrographie

Federal Maritime and Hydrographic Agency



BUNDESAMT FÜR
SEESCHIFFFAHRT
UND
HYDROGRAPHIE

EC QUALITY SYSTEM (MODULE D) CERTIFICATE

Bundesamt für Seeschifffahrt und Hydrographie (Federal Maritime and Hydrographic Agency) as the notified body performing EC conformity assessment procedures in compliance with EC Council Directive 96/98/EC of 20 December 1996 on Marine Equipment, last amended by EC Commission Directive 2002/75/EC of 2 September 2002, hereby certifies that a quality system in accordance with the requirements of the Maritime Equipment Directive Annex B, Module D is maintained and applied by the manufacturer

Applicant :

ACR Electronics Inc.
5757 Ravenswood Road
Ft. Lauderdale, FL 33312
USA

Scope:

- A.1/4.18 9 GHz SAR transponder (SART)
- A.1/4.32 Universal automatic identification system equipment (AIS)
- A.1/5.6 406 MHz (COSPAS-SARSAT)

References: see overleaf

Date of issue: 2007-04-02

Issued by: Bundesamt für Seeschifffahrt und Hydrographie, Hamburg

Expiry date: 2010-04-01

Identification number 0735

Registration no.: BSH/4613/05101/0555/07

This certificate consists of 2 pages



by order

Eckert



Places of production (if different from client or where there are several)

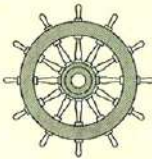
Restrictions:

Notes:

This certificate authorises in conjunction with the EC Type Examination (Module B) Certificate of the equipment listed in the scope to affix the "Mark of Conformity" (wheelmark).

This certificate loses its validity if the manufacturer makes any changes or modifications to the approved quality system, which have not been notified to, and agreed with the notified body named on this certificate and/or after lapse of time, withdrawal or revocation of the EC Type Examination (Module B) Certificate.

"Wheelmark" Format and application:



0735/yy

example

- yy Last two digits of the year in which mark is affixed.
- 0735 Notified Body number undertaking quality surveillance

**Annex to
EC QUALITY SYSTEM (MODULE D) CERTIFICATE**

No. BSH/4613/05101/0555/07



BUNDESAMT FÜR
SEESCHIFFFAHRT
UND
HYDROGRAPHIE

Item	Module B Certificate data				
	Registration number	date of issue	date of expiry	Notified Body	
	USCG Approval No.				
A.1/5.6	406 MHz Satellite EPIRB (COSPAS-SARSAT)				
	RLB-35	BSH/4612/5060372/06	2006-10-04	2011-10-03	0735
		---	---	---	---
	Global Fix 406	4612/5060016/2005	2005-03-15	2010-03-14	0735
		---	---	---	---
	Satellite ₂ 406	6492/050564-1/2004	2004-12-20	2009-12-19	0735
		---	---	---	---
	Rapid Fix 406	6492/050564-2/2004	2004-12-20	2009-12-19	0735
		---	---	---	---
	RLB-36	BSH/4612/5060959/08	2008-09-19	2013-09-18	0735
		---	---	---	---
A.1/4.32	Universal automatic identification system				
	X-Pack DS	BSH/4612/4320296/06	2006-05-08	2009-04-30	0735
		---	---	---	---
A.1/4.18	9 GHz SAR Transponder (SART)				
	ACR Pathfinder 3 SART	QQ-MED-22/08-01	2008-11-06	2013-11-05	0191
		---	---	---	---

Hamburg, 2008-11-19



Notice on legal remedies available:


Objection to this document may be filed within one month after notification. The objection must be filed in writing to, or put on record at, Federal Maritime and Hydrographic Agency, Bernhard-Nocht-Str. 78, 20359 Hamburg, Germany



EG - Konformitätserklärung EC - Declaration of Conformity

Diese Konformitätserklärung bestätigt, dass das unten benannte Produkt den Auflagen der EC Council Directive 96/98/EC vom 20 Dezember 1996 für maritime Ausrüstung, geändert durch die EC Council Directive 2002/75/EC vom 2. September 2002 entspricht und von der benannten Stelle Nr. 0735 (BSH) typengeprüft wurde. Darüber hinaus ist die Konformität gemäß Commission Regulation (EC) No. 415/2007 zum „Standard Schiffsverfolgung und Aufspürung in der Binnenschifffahrt, Edition 1.01 vom 10.10.2007“ sowie zum „Test Standard for Inland AIS Edition 1.0“ vom 31. May 2007 gewährleistet.

This declaration of conformity certifies that the specified equipment is in compliance with EC Council Directive 96/98/EC of 20 December 1996 on Marine Equipment (MED), as amended by Commission Directive 2002/75/EC of 2 September 2002. The Commission Regulation (EC) No. 415/2007 concerning Vessel Tracking and Tracing Systems on Inland Waterways, defined in the Test Standard for Inland AIS Edition 1.0 of 31st May 07 has been type examined.

Produktbezeichnung: Product Name / Nom du produit	Nauticast™ AIS
OEM Name: Trade Name / Marque Déposée	
Zertifikate der benannten Stelle: Certificates from the notified Body / Certificats des Organismes Notifiés	EC Type Examination (Module B) Certificate: BSH/6412/4320296/06 EC Quality System (Module D) Certificate: BSH/4613/05101/0555/07 Issued by: Bundesamt für Seeschifffahrt und Hydrographie (BSH), Notified Body No. 0735 Bernhard-Nocht-Str. 78, 20359 Hamburg, Germany Inland AIS Type Approval Certificate No: R - 4 - 203 Issued by: Fachstelle der WSV für Verkehrstechniken Weinbergstraße 11-13, 56070 Koblenz, Germany
Spezifizierte Standards: Specified Standard(s) / Standard(s) Spécifié(s)	IMO MSC.74(69) Annex 3 ITU-R M.1371-3 (Class A) IALA Technical Clarifications of Rec. ITU-R M.1371-1 (Ed. 1.3) ITU-R M.825-3 ITU-R M1084-3 IEC 61993-2 (2001) IEC 61162-1 (2000), -2 (1998) IEC 60945 (1996) IEC 61108-1 (1996) Technical Specification for Vessel Tracking and Tracing Systems for Inland Waterways (Ed. 1.01 dated 10.10.2007) Test Standard for Inland AIS, (Edition 1.0 dated 31.5.2007)
Dokumentnummer: Document number / Num. du document	2009-03
Hersteller: Manufacturer / Fabricant	ACR Electronics Inc., 5757 Ravenswood Road, Fort Lauderdale, Florida, 33312 USA
Anschrift EU-Vertretung: Address EU-Representative / Adresse du Représentant pour l'UE	ACR Electronics Europe GmbH Handelskai 388 / Top 632 A-1020 Vienna, Austria
Ort, Datum: place, date / Lieu, Date	Vienna, 2009-03-30
Unterschrift: Signature / Signature	 Andreas Lesch Managing Director

Diese Erklärung bescheinigt die Übereinstimmung mit den genannten Richtlinien, ist jedoch keine Zusicherung von Eigenschaften. Die Sicherheitshinweise der mitgelieferten Produktdokumentation sind zu beachten.

This declaration certifies the compliance with the indicated directives but implies no warranty of properties. The safety instructions of the accompanying product documentation shall be observed.

Cette déclaration certifie la conformité avec les directives indiquées mais n'implique aucune garantie des propriétés. Les instructions de sécurité de la documentation accompagnant le produit doivent être suivies.

ISO 9001:2000 Zertifizierung / ISO 9001:2000 Certification

ACR Electronics Europe GmbH hat ein Qualitätsmanagement System nach ISO 9001:2000 implementiert, und ist seit Juli 2003 ISO-zertifiziert.


ACR Electronics Europe GmbH maintains a Quality Management System according to ISO 9001:2000, and received ISO certification in July 2003.



EG - Konformitätserklärung EC - Declaration of Conformity

Diese Konformitätserklärung bestätigt, dass das unten benannte Zubehör gleich oder besser dem im untenstehenden Zertifikat ausgewiesenen Zubehör ist.

This declaration of conformity certifies that the mentioned accessory is equal or better to the equipment stated in the beyond Certificate.

Produktbezeichnung: Product Name / Nom du produit	X-Pack DS (Inland AIS)
OEM Name: Trade Name / Marque Déposée	Nauticast™ Inland AIS
Zertifikate der benannten Stelle: Certificates from the notified Body / Certificats des Organismes Notifiés	EC Type Examination (Module B) Certificate: BSH/6412/4320296/06 EC Quality System (Module D) Certificate: BSH/4613/05101/0555/07 Issued by: Bundesamt für Seeschifffahrt und Hydrographie (BSH), Notified Body No. 0735 Bernhard-Nocht-Str. 78, 20359 Hamburg, Germany Inland AIS Type Approval Certificate No: R - 4 - 203 Issued by: Fachstelle der WSV für Verkehrstechniken Weinbergstraße 11-13, 56070 Koblenz, Germany
Spezifizierte Standards: Specified Standard(s) / Standard(s) Spécifié(s)	IMO MSC.74(69) Annex 3 ITU-R M.1371-3 (Class A) IALA Technical Clarifications of Rec. ITU-R M.1371-1 (Ed. 1.3) ITU-R M.825-3 ITU-R M1084-3 IEC 61993-2 (2001) IEC 61162-1 (2000), -2 (1998) IEC 60945 (1996) IEC 61108-1 (1996) Technical Specification for Vessel Tracking and Tracing Systems for Inland Waterways (Ed. 1.01 dated 10.10.2007) Test Standard for Inland AIS,(Edition 1.0 dated 31.5.2007)
Zubehörtyp: Type of Accessory	Combined GPS/VHF Antenna Comrod AC17 combined GPS/VHF Antenna + Splitter (in Cable integrated)
ACR Part Number: Einschränkungen / Hinweise Restrictions / Comments	2624 Verlegte Kabellänge < 40m Installed Cable length <40m
Dokumentnummer: Document number / Num. du document	2008-09
Hersteller: Manufacturer / Fabricant	ACR Electronics Inc., 5757 Ravenswood Road, Fort Lauderdale, Florida, 33312 USA
Anschrift EU-Vertretung: Address EU-Representative / Adresse du Représentant pour l'UE	ACR Electronics Europe GmbH Handelskai 388 / Top 632 A-1020 Vienna, Austria
Ort, Datum: place, date / Lieu,Date	Vienna, 2008-12-05
Unterschrift: Signature / Signature	 Andreas Lesch Managing Director

Diese Erklärung bescheinigt die Übereinstimmung mit den genannten Richtlinien, ist jedoch keine Zusicherung von Eigenschaften. Die Sicherheitshinweise der mitgelieferten Produktdokumentation sind zu beachten.

This declaration certifies the compliance with the indicated directives but implies no warranty of properties. The safety instructions of the accompanying product documentation shall be observed.

Cette déclaration certifie la conformité avec les directives indiquées mais n'implique aucune garantie des propriétés. Les instructions de sécurité de la documentation accompagnant le produit doivent être suivies.

ISO 9001:2000 Zertifizierung / ISO 9001:2000 Certification

ACR Electronics Europe GmbH hat ein Qualitätsmanagement System nach ISO 9001:2000 implementiert, und ist seit Juli 2003 ISO-zertifiziert.


ACR Electronics Europe GmbH maintains a Quality Management System according to ISO 9001:2000, and received ISO certification in July 2003.



EG - Konformitätserklärung EC - Declaration of Conformity

Diese Konformitätserklärung bestätigt, dass das unten benannte Zubehör gleich oder besser dem im untenstehenden Zertifikat ausgewiesenen Zubehör ist.

This declaration of conformity certifies that the mentioned accessory is equal or better to the equipment stated in the beyond Certificate.

Produktbezeichnung: Product Name / Nom du produit	X-Pack DS (Inland AIS)
OEM Name: Trade Name / Marque Déposée	Nauticast™ Inland AIS
Zertifikate der benannten Stelle: Certificates from the notified Body / Certificats des Organismes Notifiés	EC Type Examination (Module B) Certificate: BSH/6412/4320296/06 EC Quality System (Module D) Certificate: BSH/4613/05101/0555/07 Issued by: Bundesamt für Seeschifffahrt und Hydrographie (BSH), Notified Body No. 0735 Bernhard-Nocht-Str. 78, 20359 Hamburg, Germany Inland AIS Type Approval Certificate No: R - 4 - 203 Issued by: Fachstelle der WSV für Verkehrstechniken Weinbergstraße 11-13, 56070 Koblenz, Germany
Spezifizierte Standards: Specified Standard(s) / Standard(s) Spécifié(s)	IMO MSC.74(69) Annex 3 ITU-R M.1371-3 (Class A) IALA Technical Clarifications of Rec. ITU-R M.1371-1 (Ed. 1.3) ITU-R M.825-3 ITU-R M1084-3 IEC 61993-2 (2001) IEC 61162-1 (2000), -2 (1998) IEC 60945 (1996) IEC 61108-1 (1996) Technical Specification for Vessel Tracking and Tracing Systems for Inland Waterways (Ed. 1.01 dated 10.10.2007) Test Standard for Inland AIS,(Edition 1.0 dated 31.5.2007)
Zubehörtyp: Type of Accessory	VHF Antenna Comrod AV-7
ACR Part Number:	2621
Dokumentnummer: Document number / Num. du document	2008-10
Hersteller: Manufacturer / Fabricant	ACR Electronics Inc., 5757 Ravenswood Road, Fort Lauderdale, Florida, 33312 USA
Anschrift EU-Vertretung: Address EU-Representative / Adresse du Représentant pour l'UE	ACR Electronics Europe GmbH Handelskai 388 / Top 632 A-1020 Vienna, Austria
Ort, Datum: place, date / Lieu,Date	Vienna, 2008-12-05
Unterschrift: Signature / Signature	 Andreas Lesch Managing Director

Diese Erklärung bescheinigt die Übereinstimmung mit den genannten Richtlinien, ist jedoch keine Zusicherung von Eigenschaften. Die Sicherheitshinweise der mitgelieferten Produktdokumentation sind zu beachten.

This declaration certifies the compliance with the indicated directives but implies no warranty of properties. The safety instructions of the accompanying product documentation shall be observed.

Cette déclaration certifie la conformité avec les directives indiquées mais n'implique aucune garantie des propriétés. Les instructions de sécurité de la documentation accompagnant le produit doivent être suivies.

ISO 9001:2000 Zertifizierung / ISO 9001:2000 Certification

ACR Electronics Europe GmbH hat ein Qualitätsmanagement System nach ISO 9001:2000 implementiert, und ist seit Juli 2003 ISO-zertifiziert.


ACR Electronics Europe GmbH maintains a Quality Management System according to ISO 9001:2000, and received ISO certification in July 2003.



EG - Konformitätserklärung EC - Declaration of Conformity

Diese Konformitätserklärung bestätigt, dass das unten benannte Zubehör gleich oder besser dem im untenstehenden Zertifikat ausgewiesenen Zubehör ist.

This declaration of conformity certifies that the mentioned accessory is equal or better to the equipment stated in the beyond Certificate.

Produktbezeichnung: Product Name / Nom du produit	X-Pack DS (Inland AIS)
OEM Name: Trade Name / Marque Déposée	Nauticast™ Inland AIS
Zertifikate der benannten Stelle: Certificates from the notified Body / Certificats des Organismes Notifiés	EC Type Examination (Module B) Certificate: BSH/6412/4320296/06 EC Quality System (Module D) Certificate: BSH/4613/05101/0555/07 Issued by: Bundesamt für Seeschifffahrt und Hydrographie (BSH), Notified Body No. 0735 Bernhard-Nocht-Str. 78, 20359 Hamburg, Germany Inland AIS Type Approval Certificate No: R - 4 - 203 Issued by: Fachstelle der WSV für Verkehrstechniken Weinbergstraße 11-13, 56070 Koblenz, Germany
Spezifizierte Standards: Specified Standard(s) / Standard(s) Spécifié(s)	IMO MSC.74(69) Annex 3 ITU-R M.1371-3 (Class A) IALA Technical Clarifications of Rec. ITU-R M.1371-1 (Ed. 1.3) ITU-R M.825-3 ITU-R M1084-3 IEC 61993-2 (2001) IEC 61162-1 (2000), -2 (1998) IEC 60945 (1996) IEC 61108-1 (1996) Technical Specification for Vessel Tracking and Tracing Systems for Inland Waterways (Ed. 1.01 dated 10.10.2007) Test Standard for Inland AIS,(Edition 1.0 dated 31.5.2007)
Zubehörtyp: Type of Accessory	GPS Antenna GPS Antenna AIS-A W/5M Coax
ACR Part Number:	2639
Dokumentnummer: Document number / Num. du document	2008-11
Hersteller: Manufacturer / Fabricant	ACR Electronics Inc., 5757 Ravenswood Road, Fort Lauderdale, Florida, 33312 USA
Anschrift EU-Vertretung: Address EU-Representative / Adresse du Représentant pour l'UE	ACR Electronics Europe GmbH Handelskai 388 / Top 632 A-1020 Vienna, Austria
Ort, Datum: place, date / Lieu,Date	Vienna, 2008-12-05
Unterschrift: Signature / Signature	 Andreas Lesch Managing Director

Diese Erklärung bescheinigt die Übereinstimmung mit den genannten Richtlinien, ist jedoch keine Zusicherung von Eigenschaften. Die Sicherheitshinweise der mitgelieferten Produktdokumentation sind zu beachten.

This declaration certifies the compliance with the indicated directives but implies no warranty of properties. The safety instructions of the accompanying product documentation shall be observed.

Cette déclaration certifie la conformité avec les directives indiquées mais n'implique aucune garantie des propriétés. Les instructions de sécurité de la documentation accompagnant le produit doivent être suivies.

ISO 9001:2000 Zertifizierung / ISO 9001:2000 Certification

ACR Electronics Europe GmbH hat ein Qualitätsmanagement System nach ISO 9001:2000 implementiert, und ist seit Juli 2003 ISO-zertifiziert.

ACR Electronics Europe GmbH maintains a Quality Management System according to ISO 9001:2000, and received ISO certification in July 2003.

Quick Replacement Guide



1. Prepare the following tools:

Screwdrivers, spanners

User Password: [your personal password]
(factory default setting is 'display protection foil')

2. Read out your Transponder configuration

Steps to do this:

Press Menu
Press 2 2.AIS Status
Press 2 2.Own Ship Data

Write down the current configuration settings here:

IMO No. :	Dest :
ShipName :	EAT :
ShipType :	MMSI :
Length :	CS :
Cargo :	Beam :
Draught :	

Press Menu
Press 4 4.Ship Settings
Key in [UserPassword] Press Enter ↵

Write down the current configuration settings here:

RefPtExt: A	B	C	D
RefPtInt: A	B	C	D

Press Menu
Press 5 5.Transponder Configuration
Key in [UserPassword] Press Enter ↵
Press 5 5.Sensor Settings

Write down the current configuration settings here:

BaudRate Sensor1:
BaudRate Sensor2:
BaudRate Sensor3:

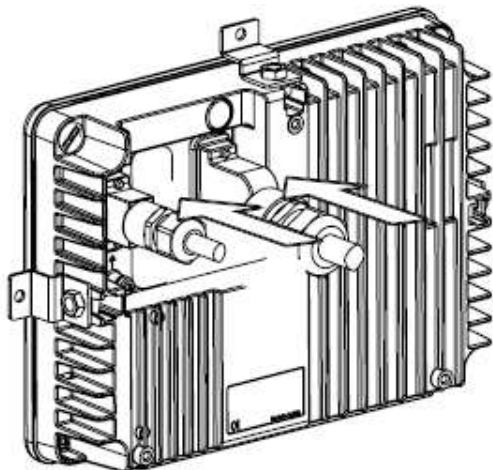
Press M8 Back

3. Detach the device

- 3.1. Bracket Mounting
- 3.2. Frame Mounting

4. Disconnect cables

- 4.1. AIS-Cable to unscrew
- 4.2. VHF/GPS Cable to unscrew



5. Unpack the new Transponder

(new factory default password is on its display protection foil)

6. Connect cables

- 6.1. AIS-Cable to screw on
- 6.2. VHF/GPS Cable to screw on

7. Mount the replacement unit

- 7.1. Bracket Mounting
- 7.2. Frame Mounting

8. Key in the configuration settings from above:

Following steps to key in the Configuration

The AIS will prompt 'ENTER MMSI NUMBER'

Press M5 OK
Key in MMSI and IMO number
Press M5 Save (AIS will Restart)

Press Menu
Press 4 4.Ship Settings
Key in [UserPassword] Press Enter ↵ (Default Factory Password)

Key in the configuration data from your list:

CallSign: ShipName:
RefPtExt: A= B= C= D= * *(A+B Ship length, C+D is beam)
RefPtInt: A= B= C= D= * *(A+B Ship length, C+D is beam)
ShipType:

Press Menu
Press 5 5.Transponder Configuration
Key in [UserPassword] Press Enter ↵ (Default Factory Password)
Press 5 5.Sensor Settings
Key in [ServicePassword] Press Enter ↵ (Default Factory Password)

Key in the configuration data from your list:
BaudRate Sensor1: BaudRate Sensor2:
BaudRate Sensor3:
Press M5 Save

9. Check the functionality

Press Menu
Press 2 2.AIS Status
Press 2 2.Own Ship Data
You should see your Own Ship Data with entered values

9.1. Change your User Password

Press Menu
Press 6 6.Service Configuration
Key in [ServicePassword] Press Enter ↵ (Default Factory Password)
Press 2 2.User Password Settings
Press 1 1.Change User Password
Key in [new password]
Repeat [new password]
Press M5 Save